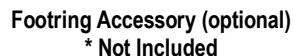
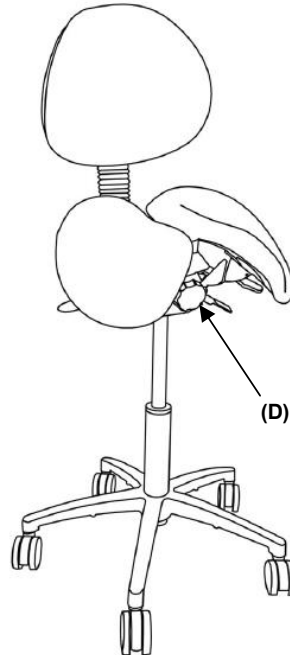
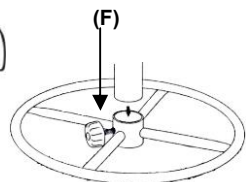
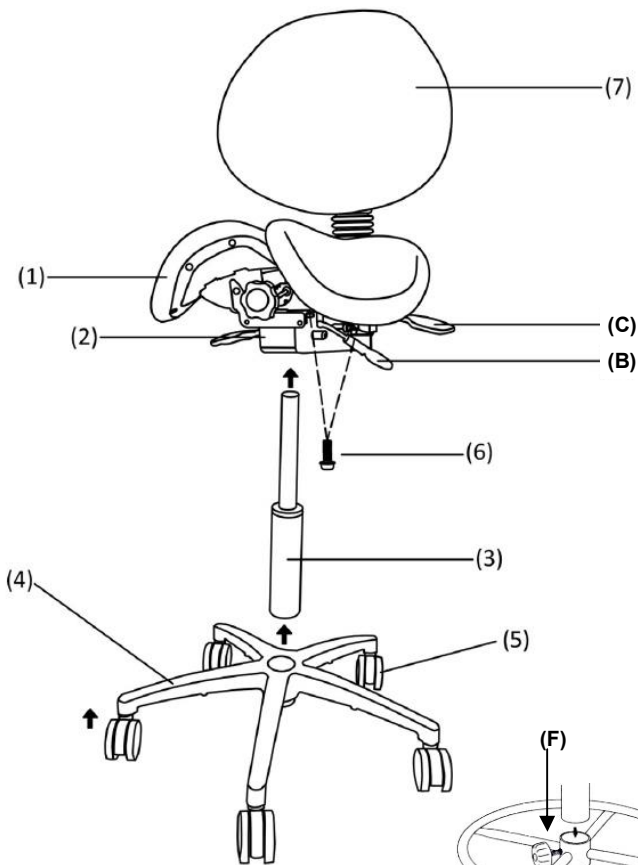
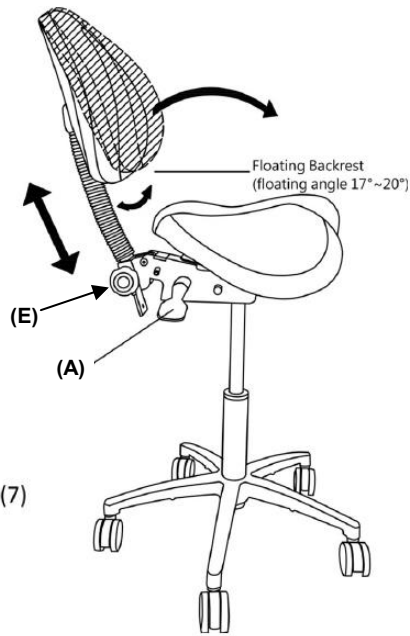


# ASSEMBLY INSTRUCTIONS: Models: 901SBL-3F, 901SBV-3F

## Parts List (verify prior to assembly)

- (1) Seat Top
- (2) Mechanism (w/Back Adjustment Function)
- (3) Gas Cylinder
- (4) Aluminum Base
- (5) Casters (x5) (or optional fixed glides)
- (6) M8 x 14 mm Screw (x4)
- (7) Back Rest
- \* 1 x Adjustable Foot Ring (optional)
- \* 5 x Glide Accessory (optional)



## Please Read Instructions Fully Before Assembly

\*\* Tools Needed: Phillips Head Screwdriver or socket/wrench

- Step 1: Lay out all parts and check against Parts List.
- Step 2: Insert the 5 casters (5) into the outer holes on the base (4).  
*(Note: Optional fixed glides can be purchased separately.)*
- Step 3: Slide the Footring (if purchased) over the bottom of the Gas Cylinder, then insert the large bottom end of the Cylinder into the center hole on the Base.
- Step 4: Connect the mechanism (2) with the Seat Top (1) by using the 4 x M8 x 14mm screws (6) and tighten.
- Step 5: Place the Seat Top (1) with Mechanism (2) on top of the Gas Cylinder (3) and make sure the top of the Gas Cylinder has been properly fitted into the hole of seat Mechanism.
- Step 6: Insert the Back Rest J-Bar (7) through the rear slot of mechanism, tighten it up by turning the knob, and cover the J-Bar's bottom hole with the round plastic cap (if the height needs to be adjusted further the plastic cap can be moved to the second hole). Turn the knob clockwise to lock the backrest in place.

## Mechanism Adjustment Functions:

- (A) **Seat Posture/Tilt Angle:** Pull up the right lever to release the mechanism, then push lever down to lock the mechanism in place at the desired tilt angle.
- (B) **Seat Height:** Lift the 1st lever on the left, let the seat rise or lower to the desired height, then release the lever.
- (C) **Back Angle/Incline:** Pull up on the 2nd lever on the left, adjust the Back Rest to the desired angle, then push the lever back down to lock the Back Rest in at the desired angle.
- (D) **Seat Width/Splay:** Turn adjustment knob counter-clockwise to release the lock, adjust seat halves to desired configuration, and re-tighten lock by turning clockwise.
- (E) **Back Rest Height:** Loosen locking knob by turning counter-clockwise, adjust back rest height, then turn knob clockwise to tighten.
- (F) **Footring Height:** Loosen locking knob by turning counter-clockwise, raise or lower footring to desired height, tighten lock by turning clockwise.

**Caution:** Do not use this chair as a step ladder.  
Check for loose screws and tighten them every month.  
As with any equipment, routine safety inspections should be conducted.

Distributed by:

**Micwil Group of Companies Ltd.**

The Micwil Building, 102 Wheeler St., Saskatoon SK S7P 0A9

Tel: 1-866-335-3746

www.ergocanada.com