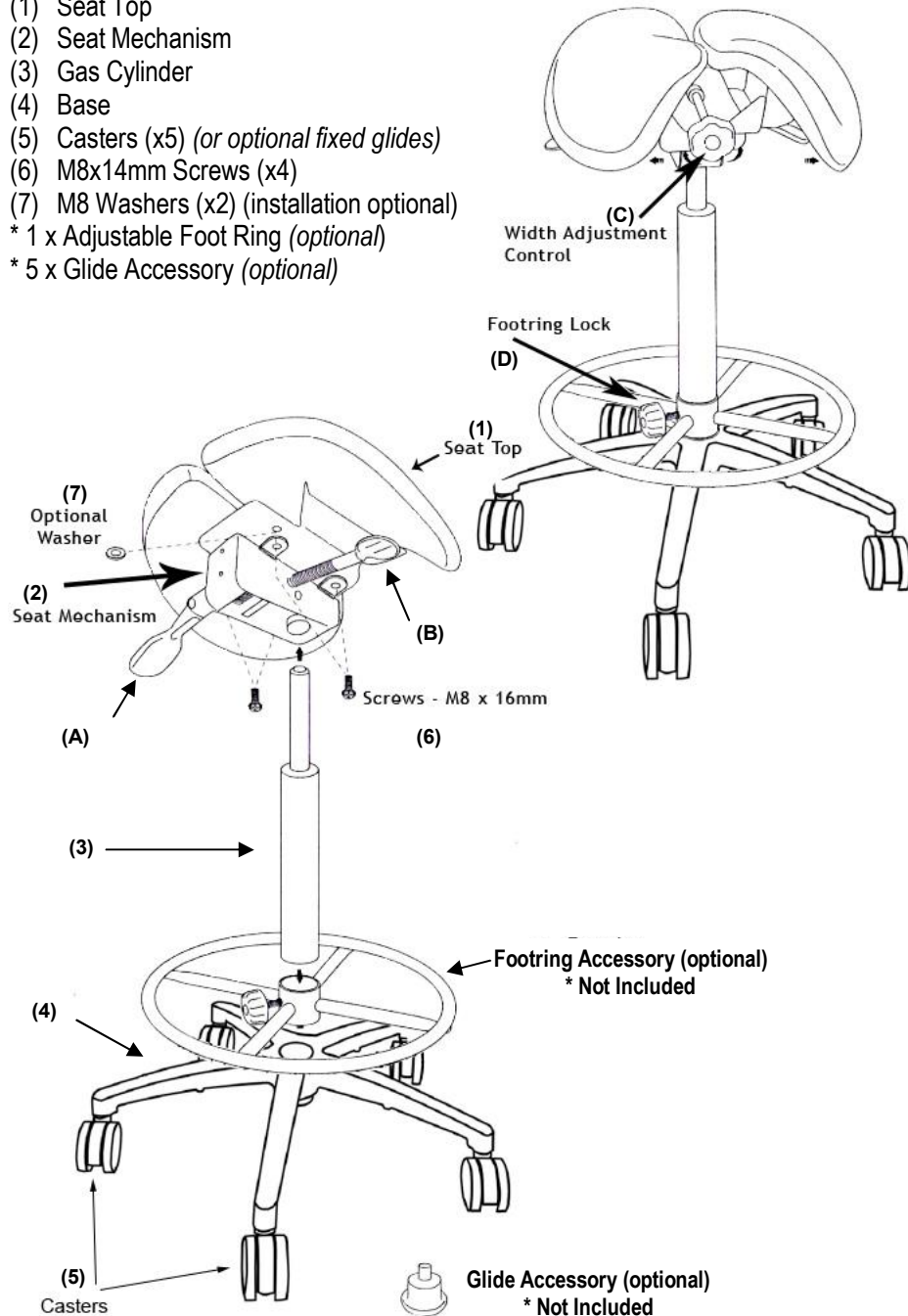


ASSEMBLY INSTRUCTIONS: Models: 901SNL-2F, 901SNV-2F

Parts List (verify prior to assembly)

- (1) Seat Top
 - (2) Seat Mechanism
 - (3) Gas Cylinder
 - (4) Base
 - (5) Casters (x5) (or optional fixed glides)
 - (6) M8x14mm Screws (x4)
 - (7) M8 Washers (x2) (installation optional)
- * 1 x Adjustable Foot Ring (optional)
* 5 x Glide Accessory (optional)



Please Read All Instructions Before Assembly

Tools required: Phillips head screwdriver or socket/wrench

- Step 1:** Lay out all parts and check against Parts List.
- Step 2:** Insert each of the 5 Casters into the outer holes on the Base. (Note: Optional fixed glides can be purchased separately.)
- Step 3:** Slide the Footring (if purchased) over the bottom of the Gas Cylinder, then insert the large bottom end of the Cylinder into the center hole on the Base.
- Step 4:** Using the 4 x M8x14mm screws, connect the Seat Mechanism to the Seat Top. Tighten screws securely.
Note: If you prefer your seat to tilt further forward the optional M8 washers can be inserted between the Seat Top and the Mechanism when inserting the two rear screws.
- Step 5:** Remove the protective cover from the top of the gas cylinder and then place the assembled Seat Top and Mechanism on top of the Gas Cylinder. The mechanism should be securely seated over the cylinder top.

Mechanism Adjustment Functions:

- (A) Seat Posture/Tilt Angle:** Pull up the left lever to release the mechanism, then release lever to lock the mechanism in place at the desired tilt angle.
- (B) Seat Height:** Lift the lever on the right, let the seat rise or lower to the desired height, then release the lever.
- (C) Seat Width/Splay:** Turn adjustment knob counter-clockwise to release the lock, adjust seat halves to desired configuration, and re-tighten lock by turning clockwise.
- (D) Footring Height:** Loosen the locking knob by turning counter-clockwise, raise or lower footring to desired height, tighten lock by turning clockwise.

Caution: Do not use this chair as a step ladder.
Check for loose screws and tighten them every month.

As with any equipment, routine safety inspections should be conducted.

Distributed by:

Micwil Group of Companies Ltd.

The Micwil Building, 102 Wheeler St., Saskatoon SK S7P 0A9

Tel: 1-866-335-3746

www.ergocanada.com