



SimplyWorks® INSTRUCTIONS

TRACKBALL



Pack Contents

Carefully check the contents of the box, which are:

**SimplyWorks®
TRACKBALL**

This manual

Product Description

SimplyWorks® is the world's first fully integrated wireless system specifically for users with motor skill difficulties.

SimplyWorks® allows you the freedom to create wire-free, single or multi-user learning environments, reducing set up time and allowing you to concentrate on the learning tasks themselves.

The SimplyWorks® TRACKBALL can be used with any SimplyWorks® receivers for computer input, or to control toys and other battery operated appliances.

The SimplyWorks® TRACKBALL uses the latest wireless and optical technologies for interference free operation and silky smooth ball movement.



TRACKBALL

Features

- Works with any SimplyWorks® receiver for computer input or toy control.



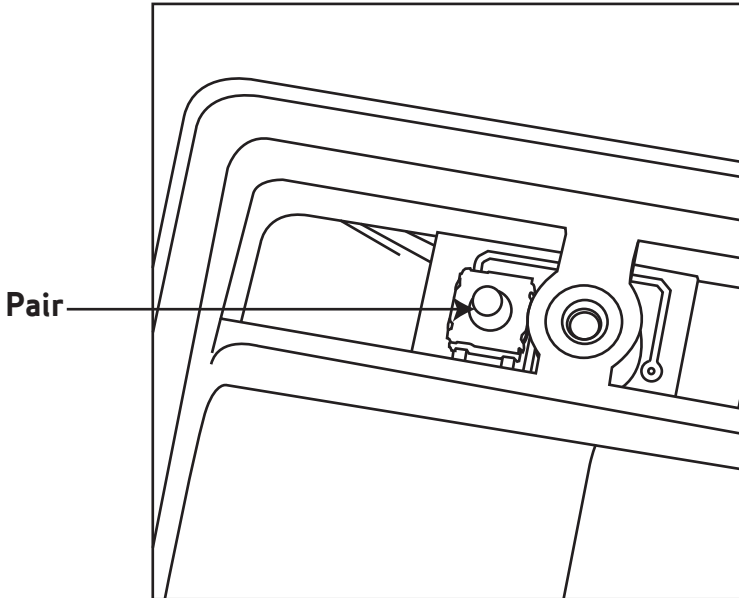
- State of the art radio link with an interference free operating range exceeding 10 metres.
- Uses 2.4 GHz global, licence-free ISM radio band.
- Durable optical technology with a large, light touch, ball and silky smooth ball movement.
- Colour coded Left/Right and Drag Lock buttons mounted sub-flush to prevent accidental operation.
- Sockets to operate Left/Right click buttons from remote switches.

Compatibility

Your SimplyWorks® TRACKBALL is compatible with any SimplyWorks® receiver for computer input and toy control applications.

Fitting the Battery

Remove the battery cover on the underside of the unit. Connect a good quality (such as Duracell or Energiser) 9-Volt PP3/6F-22 (or equivalent) battery. If you are not intending to use your SimplyWorks® TRACKBALL for a long time, it is advisable to remove the battery to prevent leakage, which may damage the product.



Before you can use your SimplyWorks® TRACKBALL it must be paired with one of the SimplyWorks® receivers (RECEIVE, CONTROL LITE, CONTROL, CONTROL PRO). To pair the units use the following procedure:

- 1 Remove the battery cover on the SimplyWorks® TRACKBALL.
- 2 Place the receiver within 1 metre of your SimplyWorks® TRACKBALL.
- 3 Briefly press the Pair Button on the receiver unit. The Pair LED on the receiver will begin to flash slowly.

4 Within 10 seconds briefly press the Pair Button inside the SimplyWorks® TRACKBALL battery compartment.

5 After a short period the Pair LED on the receiver unit will light steadily for 5 seconds indicating pairing is complete.

6 If the Pair LED stops flashing, and does not light steadily, repeat the procedure from (3). If it is unsuccessful, please refer to the Troubleshooting section.

Maintenance

Your SimplyWorks® TRACKBALL has no user serviceable parts. If repair is necessary the unit should be returned to Pretorian Technologies or an authorised distributor.

Troubleshooting

If your SimplyWorks® TRACKBALL does not operate correctly, please use the following guide to determine the cause. If, after following this guide, your unit still does not operate, please contact your supplier before returning it.

Symptom	Possible Cause / Remedy
Unit not functioning No cursor movement LED remains lit	<ul style="list-style-type: none">• Units are not paired. Following pairing procedure.• Batteries flat in SimplyWorks® TRACKBALL. Replace battery.• Check USB connection to computer.• Units may not be paired. Follow pairing procedure.
Unit works erratically	<ul style="list-style-type: none">• Batteries flat in either toy control receiver or SimplyWorks® TRACKBALL. Replace battery.• Out of range - move receiver unit closer to SimplyWorks® TRACKBALL.• Interference - place receiver and SimplyWorks® TRACKBALL away from sources of interference.
Units will not Pair - LED is extinguished after 30 seconds.	<ul style="list-style-type: none">• Batteries flat in either toy control receiver or SimplyWorks® TRACKBALL. Replace battery.• Ensure SimplyWorks® TRACKBALL is within 1 metre of receiver while pairing.

Warranty

Your SimplyWorks® TRACKBALL is warranted for 24 months against defects in manufacture or component failure. The unit is designed for domestic, educational, commercial and light industrial applications. Use outside these areas will invalidate the warranty. Unauthorised repair or modification, mechanical abuse, immersion in any liquid or connection to incompatible equipment will also invalidate the warranty.



Pretorian
TECHNOLOGIES LTD.

Unit 37 Corringham Road Industrial Estate
Gainsborough Lincolnshire DN21 1QB United Kingdom

Tel +44 (0) 1427 678990 Fax +44 (0) 1427 678992

SimplyWorks® is a registered trademark of Pretorian Technologies Ltd.