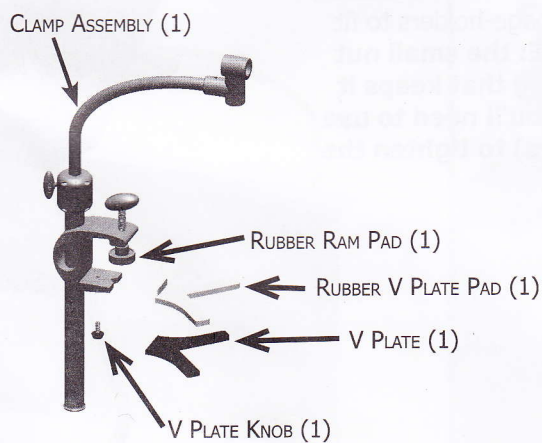
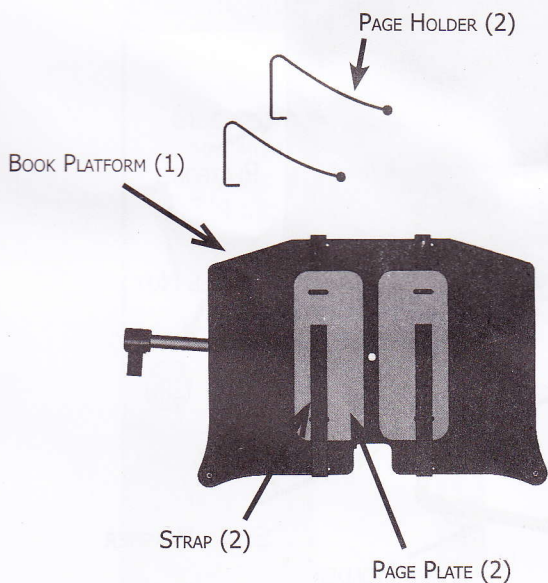


**Levō**  
 Experience The *Ultimate* Power of  
 Reading and Surfing

**iCLAMP ON**  
**STAND FOR BOOKS**  
 ASSEMBLY • MODEL #33501

**Getting Started**

Congratulations! You're about to assemble a revolutionary product that will help you read more comfortably, longer, and smarter. Your new LEVO™ has a black matte finish, so if you assemble it in a well lit area, you'll be able to see detail much better. Unpack your LEVO and compare its contents to the parts shown here.

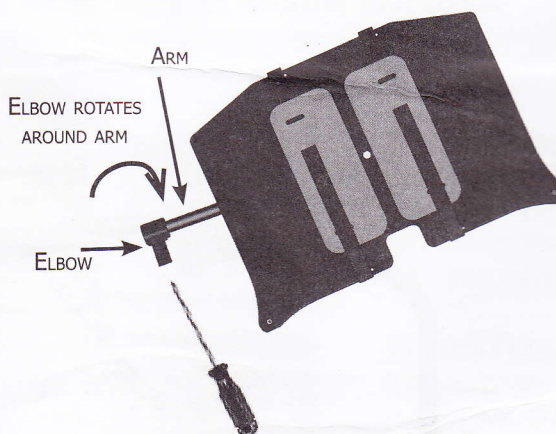


\* EXTRA HARDWARE MAY BE INCLUDED

1

**ADJUSTING THE ROLL TENSION**

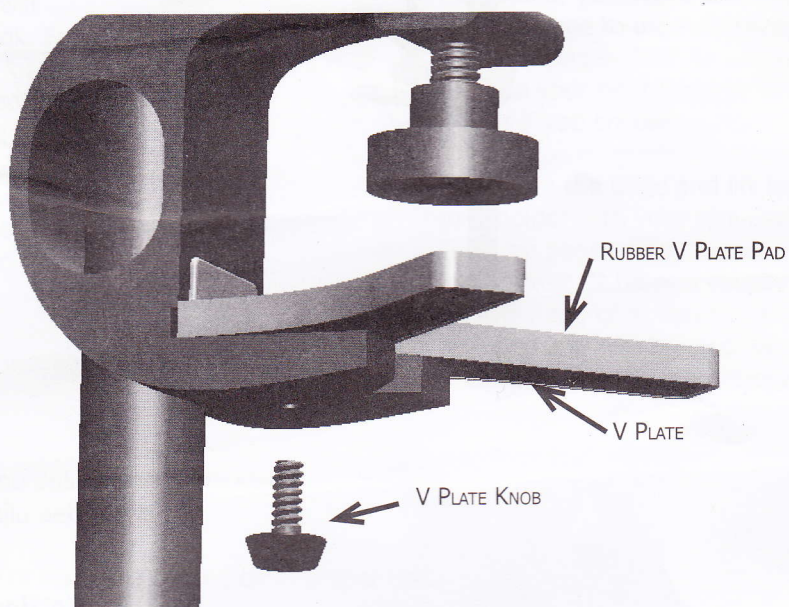
**Note:** This step may have been done in our factory. To test, the elbow should rotate around the arm but should not pull off the arm. If the elbow pulls off: a. Tap the elbow to assure it is all the way on the arm. b. Use a small Phillips head screwdriver to lightly tighten the screw that is already housed inside the bottom of the elbow.



2

**SECURING THE V PLATE**

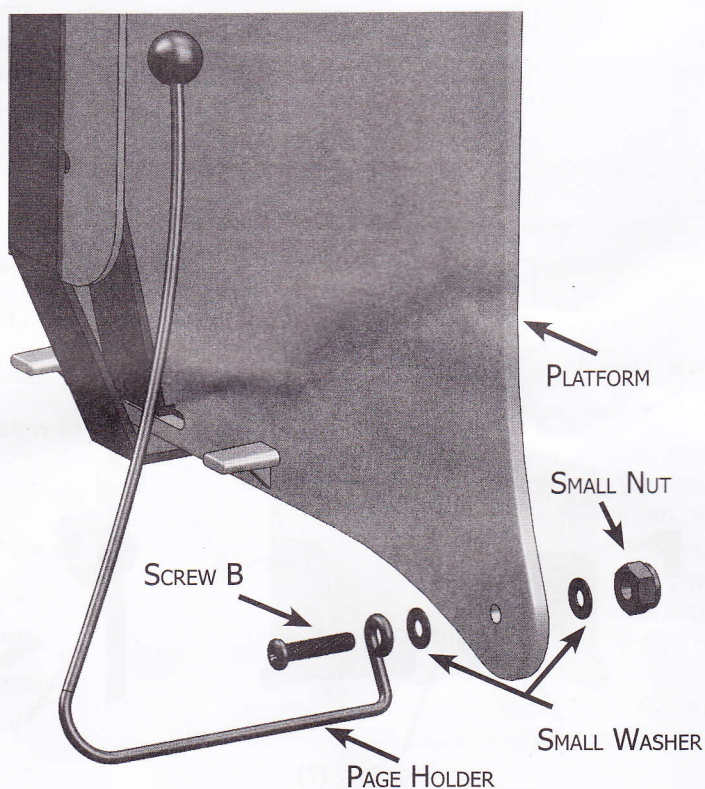
Align the parts as shown, then hand tighten the V Plate Knob. The rubber pad protects the underside of your furniture. You can omit this part if desired.



3

**ASSEMBLING THE PLATFORM**

Mount the two page-holders to the holes in the bottom corners of the platform. Follow the diagram for correct hardware placement. Tighten the small nut with just enough force so the page-holders will rotate with little effort. The rotation lets you adjust the page-holders to fit any size book. **NOTE: the small nut has a friction fitting that keeps it from loosening. You'll need to use a wrench (or pliers) to tighten the nut.**



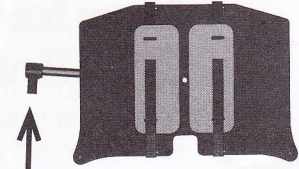
4

**YOUR LEVO BOOK HOLDER IS NOW READY TO SHOW YOU THE COOLEST WAY TO READ!**

Your LEVO V Clamp-on Stand is specially designed to clamp onto the corner of side-tables with a minimum overhang of just 1/4 of an inch (6.4mm) on the front and side. It can also clamp to table sides where the minimum overhang is 1 3/4 inches (4.5 cm).

**CAUTION:** Do not use this device on glass top tables or the table may break. Be sure the table or cart you clamp this device to is strong enough to handle the loading forces. Wooden table tops should have a minimum thickness of 5/8 of an inch.

THE PLATFORM EASILY ATTACHES AND DETACHES TO THE STAND.

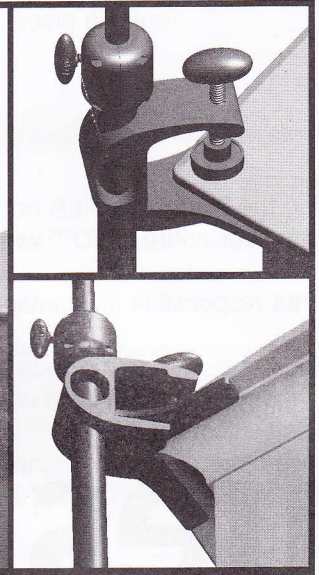
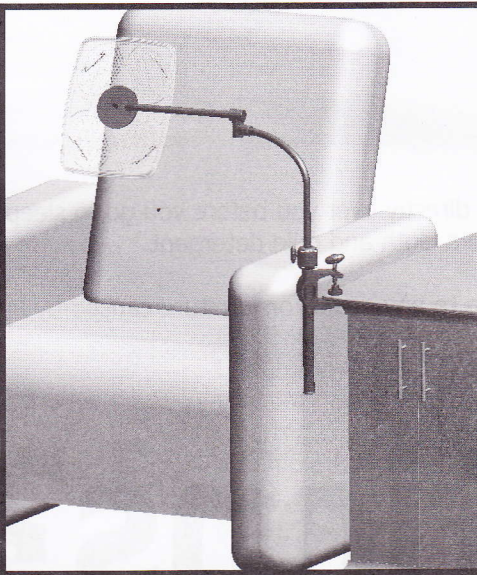
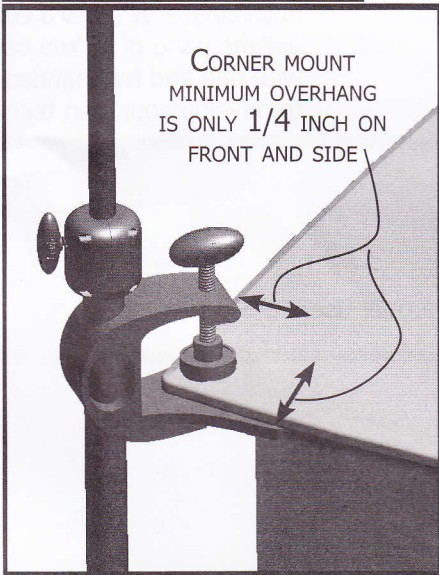


ALWAYS REMOVE THE PLATFORM BEFORE CLAMPING OR UNCLAMPING YOUR LEVO.

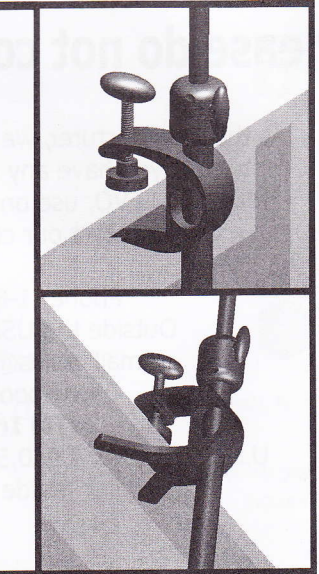
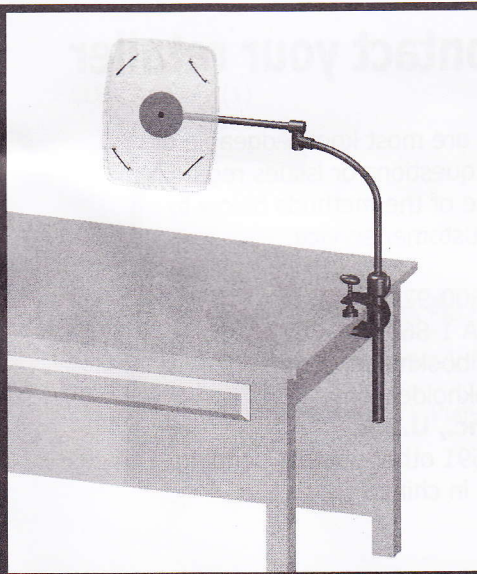
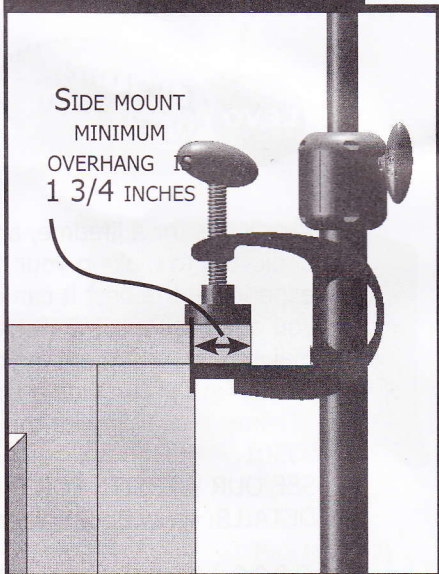


**CORNER MOUNTING**

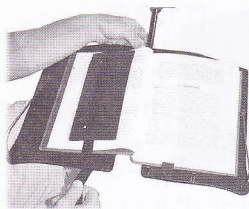
NOTE: IMAGES BELOW ARE SHOWN WITH OPTIONAL TABLET PLATFORM KIT.



**SIDE MOUNTING**

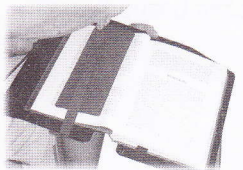


# READING WITH YOUR NEW LEVO Book Holder

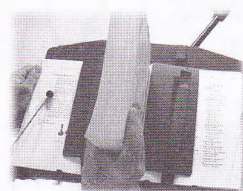


## SECURING YOUR BOOK

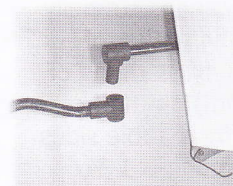
Mounting your book is easiest with the platform on your lap while you sit. Loosen the strap from itself to allow space to insert your book behind the page-plate. Place the first few pages of your book under the left page-plate.



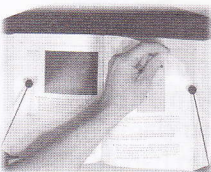
Pull the strap tightly downward, loop it around, and firmly attach it to itself.



Securing the right page-plate will depend on the size of your book. For large heavy books (2 1/2 to 4 lbs.) leave 100 to 150 pages for reading, and tightly strap the rest under the right page-plate. For small light books, you can leave more pages for reading. Test your mount by flipping the platform upside down. Your book should remain firmly in place.



Insert the platform arm into the receptacle on the telescoping pole. Press the elbow all the way into the receptacle. You are now ready to read with your new LEVO Book Holder.



## TURNING PAGES

Turning pages is easy, even with one hand. First, grasp the top of the page with your left hand (if you use your right hand, you might tear your page). Tug the page to the left, releasing it from the pageholder. Of course, you can use your right hand to lift the pageholder if you choose.



Next, turn the page and lift the left pageholder with your remaining fingers. Tuck the page under the page-holder and release. It takes a couple turns to get the hang of it. You can experiment with one and two handed page turning to develop your own technique.

## Useful Tips

- Always swing the Platform so it is not directly over you before you go to sleep.
- You can clean your entire LEVO™ with a cloth and mild detergent.

MTM, Inc. is not responsible for damage to any device or furniture caused by improper use.

# Questions?

## Please do not contact your retailer

As the manufacturer, we are most knowledgeable of this item. If you have any questions or issues regarding your new LEVO, use one of the methods below to contact our customer service.

Phone: 1-800-928-2322

Outside the USA 1-863-815-7077

email: [sales@bookholder.com](mailto:sales@bookholder.com)

[www.bookholder.com](http://www.bookholder.com)

**MTM Inc., U.S.A.**

U.S. Patent No. 7,040,591 other patents pending  
made in china

## MTM Warranty



Reading is for a lifetime, and we're dedicated to making your reading experience the best it can be. When you purchase a LEVO Holder, you're making an investment in your future. That's why we provide a Limited Lifetime Warranty with this model# 33501.

SEE OUR WEBSITE FOR FULL  
DETAILS: [www.BookHolder.com](http://www.BookHolder.com).