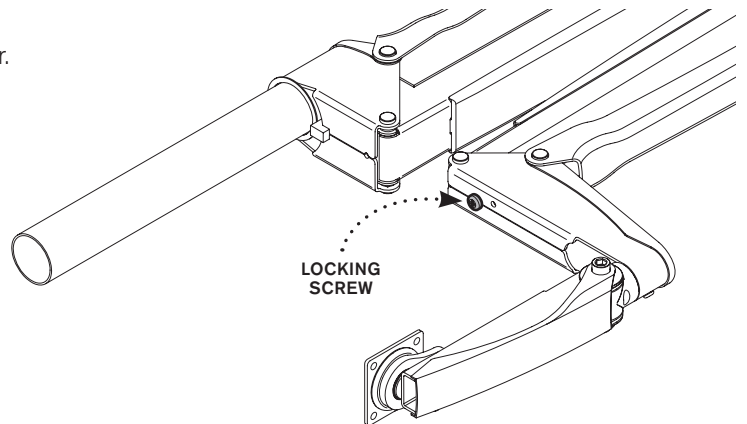


WARNING!

There is a locking feature that prevents the arms from springing away from one another.

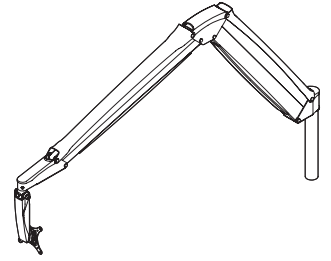
Removing the screw, shown right, will disengage the locking feature.

Do not remove locking screw until arm is securely mounted and monitor is attached to arm (step 4).

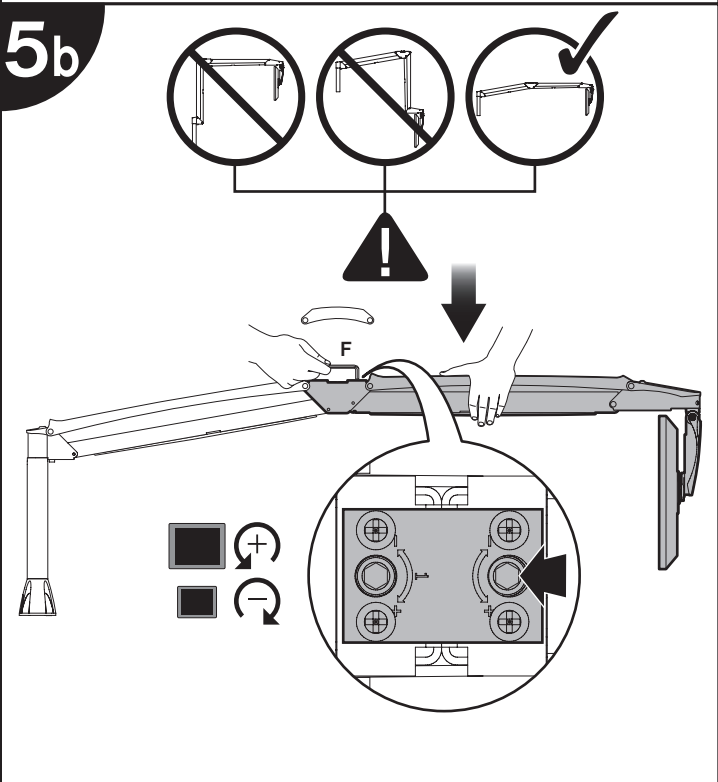
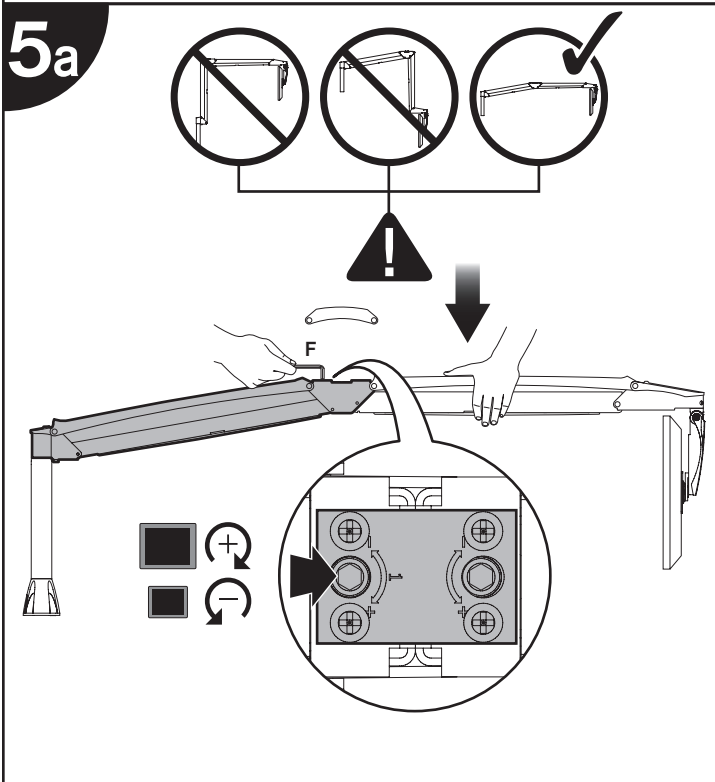
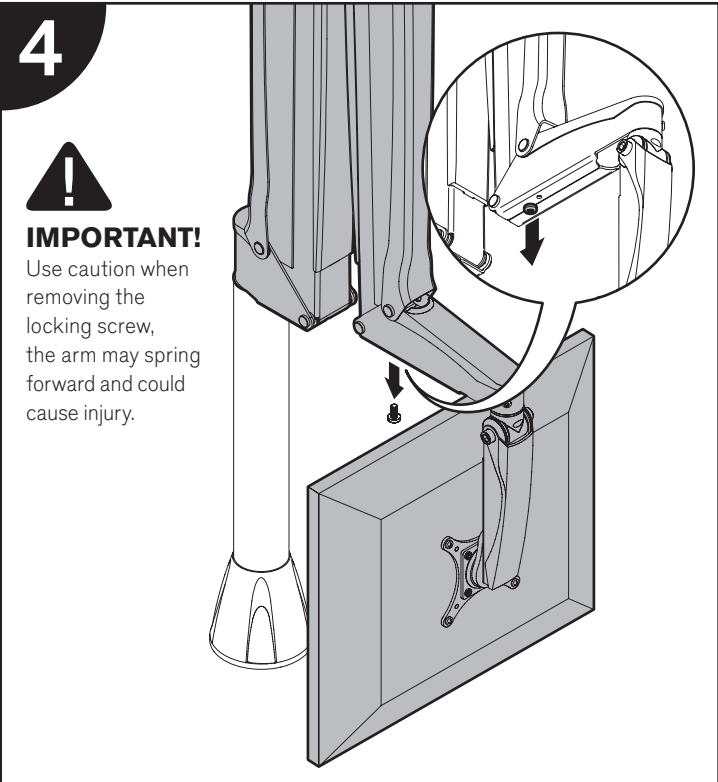
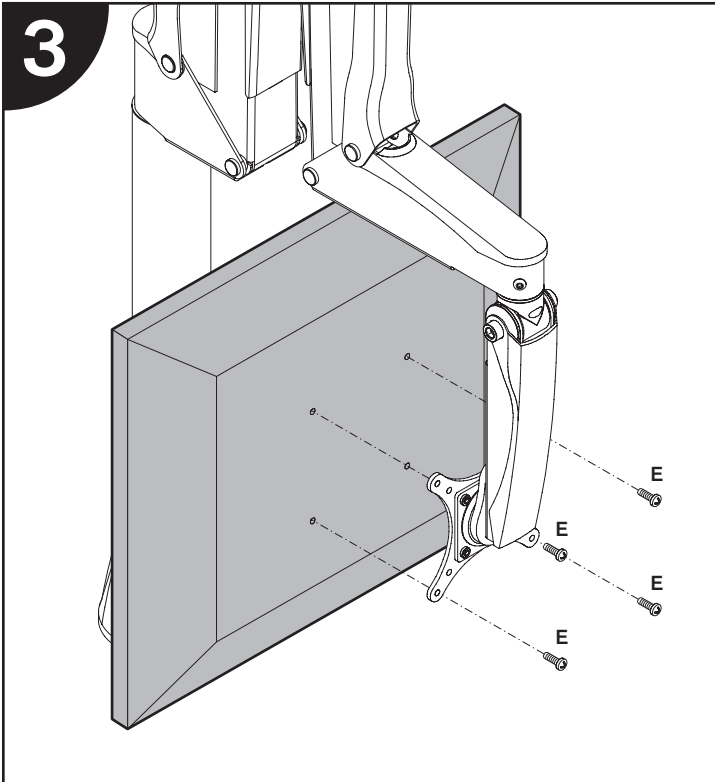


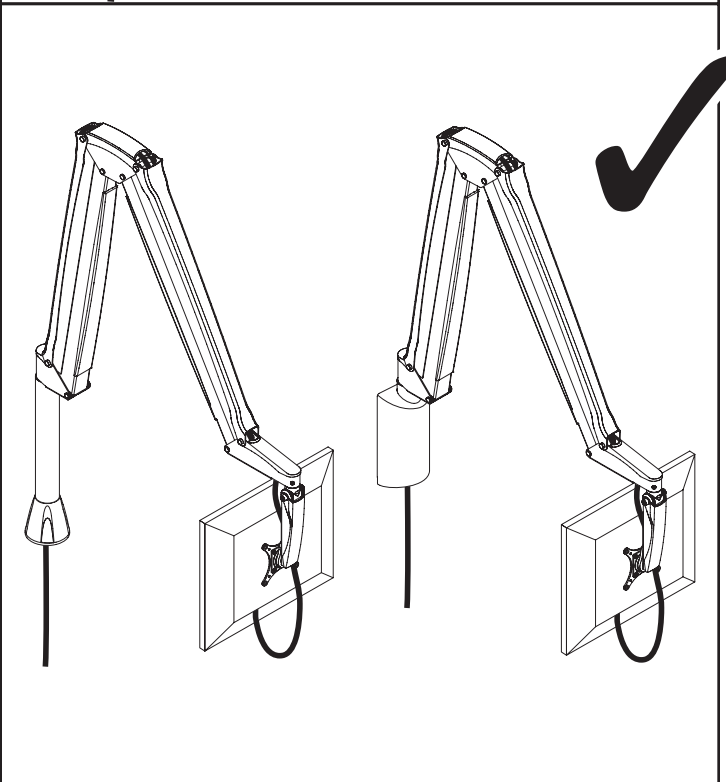
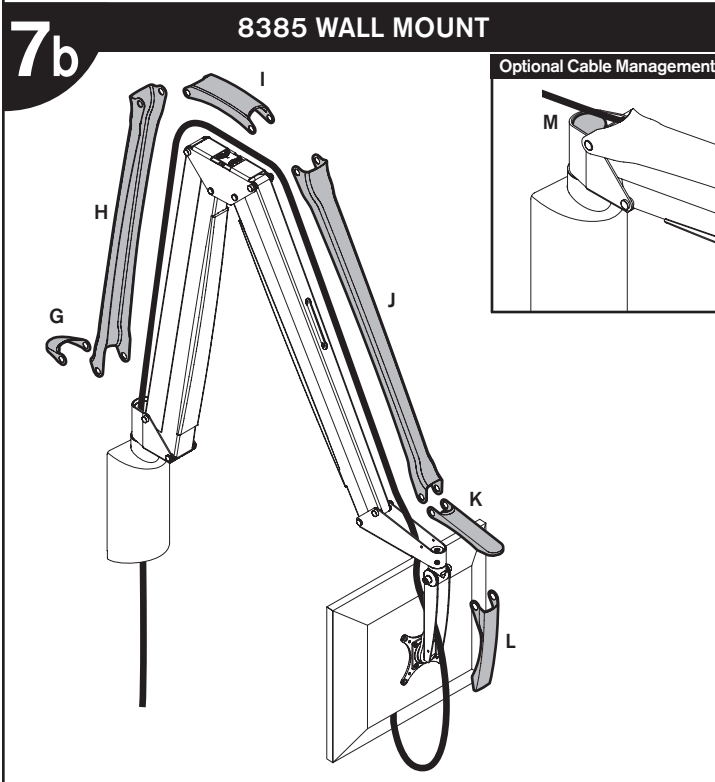
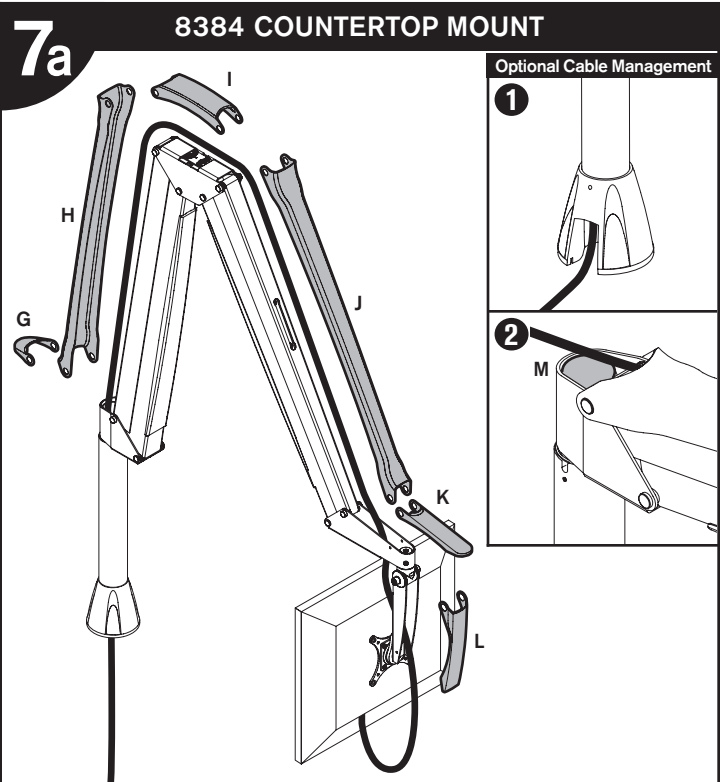
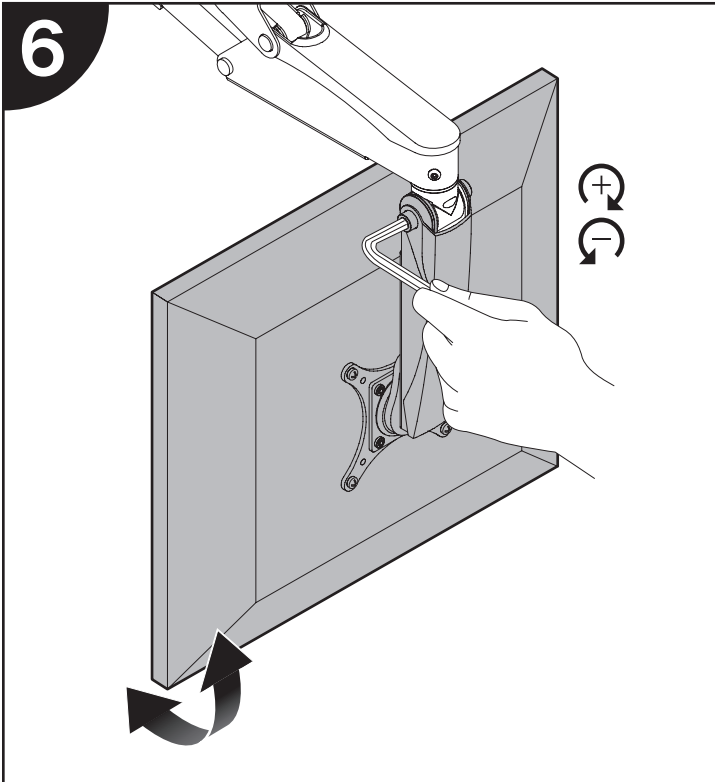
MODEL 9400

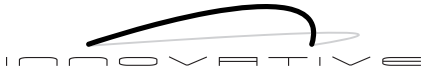
Installation Instructions



1a 8384 COUNTERTOP MOUNT	1b 8385 WALL MOUNT
Diagram 1a shows the installation of the 8384 countertop mount. It consists of two panels. The left panel shows a hand sliding a ring labeled 'A' onto the end of the arm. The right panel shows a hand sliding a sleeve labeled 'B' onto the arm, with a circular arrow indicating the direction of movement.	Diagram 1b shows the installation of the 8385 wall mount. It consists of two panels. The left panel shows a hand sliding a ring labeled 'A' onto the end of the arm. The right panel shows a hand sliding a sleeve labeled 'B' onto the arm, with a circular arrow indicating the direction of movement.
Diagram 2a shows the mounting bracket 'D' being attached to the arm. Four screws labeled 'C' are used to secure the bracket to the arm. A circular inset shows a close-up of the bracket being attached to the arm.	Diagram 2b shows the mounting bracket 'D' being attached to the arm. A screw is shown being inserted into the bracket. A circular inset shows a close-up of the bracket being attached to the arm.







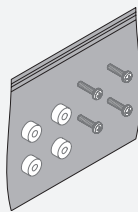
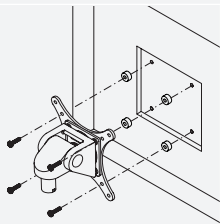
MODEL 9400

Parts List

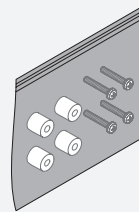
ITEM	DESCRIPTION / PART NO.	QUANTITY
A	Thrust Washer 702833	1
B	3/32" Allen Wrench 700146	1
C	10-32 x 3/8" Phillips Flat Head Screw 702281	1 (4-pack)
D	75/100mm VESA® Adapter Plate 105587	1
E	M4-12 Phillips Pan Head Screw 702096	4
F	7/32" Allen Wrench 701127	1
G	Lower End Cap Cover 106000	1

ITEM	DESCRIPTION / PART NO.	QUANTITY
H	Upper Channel Arm 1 Cover 106594	1
I	Middle End Cap Cover 106001	1
J	Upper Channel Arm 2 Cover 106593	1
K	Upper End Cap Cover 106002	1
L	Tilter Swing Arm Cover 106005	1
M	End Cap Plug 707150	1

OPTIONAL SPACER KITS In some cases, the mounting surface on your monitor may be recessed further than permitted by VESA® standards. As a result, a spacer kit may be required.



.25" Spacer Hardware Kit
 (4) .25" Spacers
 (4) M4 x 18mm Phillips Pan Head Screws
 Order # P404923-B



.5" Spacer Hardware Kit
 (4) .5" Spacers
 (4) M4 x 25mm Phillips Pan Head Screws
 Order # P404923-C