

Model 9189

Adjustable Through-Counter Mount



This height-adjustable mount passes through the counter. Integrated cable management keeps cables safe and out of view. Three sizes provide height adjustment ranging from 12" to 36".

FEATURES

- ▲ Supports monitors, signature capture devices, kiosks and more
- ▲ Tube passes through counter
- ▲ Pivot and turn monitor – lock monitor in place if desired
- ▲ Internal cable routing – cables pass through counter, remaining out of view
- ▲ Durable construction stands up to retail use and abuse
- ▲ Fast setup



Quickly adjust monitor height



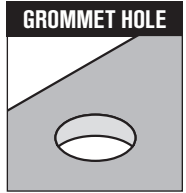
Easily tilt monitor to desired angle



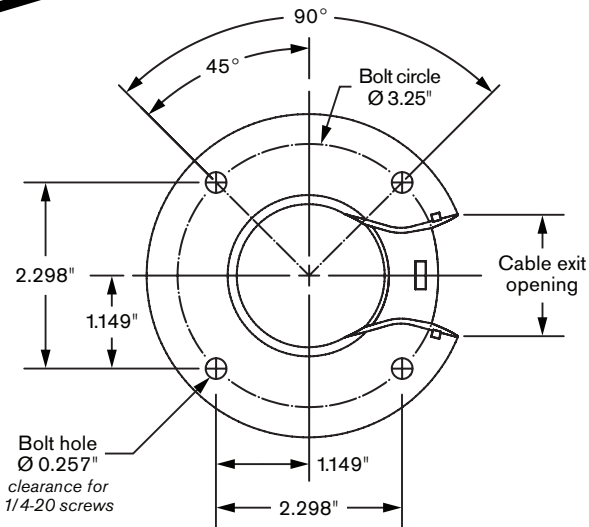
Keep cables safe and out of view with Innovative's integrated cable management

Model 9189

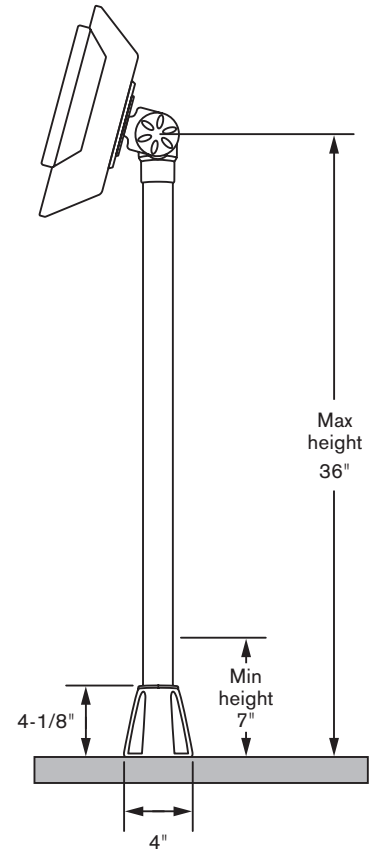
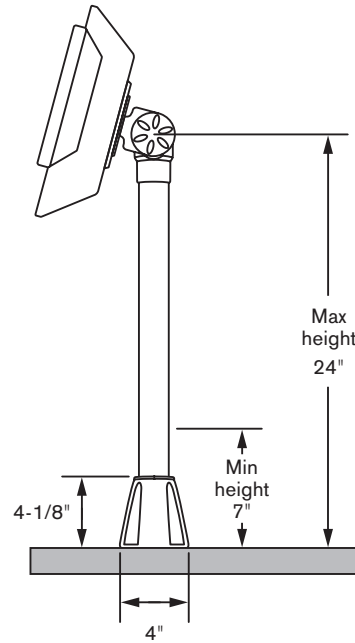
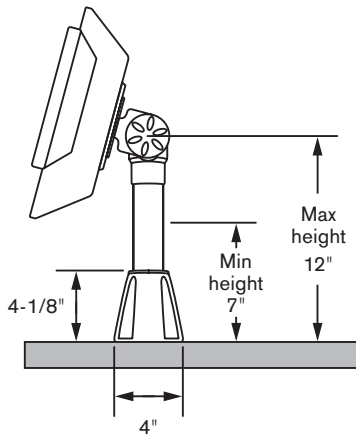
Specifications



1-13/16" minimum grommet hole is needed for pole to pass through counter (2-3/8" standard grommet hole is also compatible)



BOLT PATTERN
Bottom View of Mount



MODEL	9189-12	9189-24	9189-36
HEIGHT RANGE	7" - 12"	7" - 24"	7" - 36"
MONITOR WEIGHT	Up to 25 lbs	Up to 25 lbs	Up to 25 lbs

Reference dimensions; subject to change without notice. Consult IOP for latest information.



Phone: 800.524.2744 | Fax: 610.253.9521 | E-mail: sales@LCDarms.com | Web: www.LCDarms.com

This product is protected by one or more of the following U.S. Patent Nos. and other United States and foreign patents applied for: 119,345, 119,346, 1,324,842, 2,470,525, 6,076,785, 6,273,383, 6,409,134, 6,478,274, 6,499,704, 6,505,988, 6,609,691, 6,19,606, 6,719,253, 6,726,167, 6,736,364, 6,783,105, 6,854,698, 6,915,994, 6,935,883, 6,955,328, 6,983,917, 6,986,489, 7,014,157, 7,017,874, 7,048,242, 7,059,574, 7,063,296, 7,066,433, 7,066,435, 7,389,965, 7,665,699, D435,852, D491,952, D492,893, D670,853, D675,293.

LIT-1032 REV B