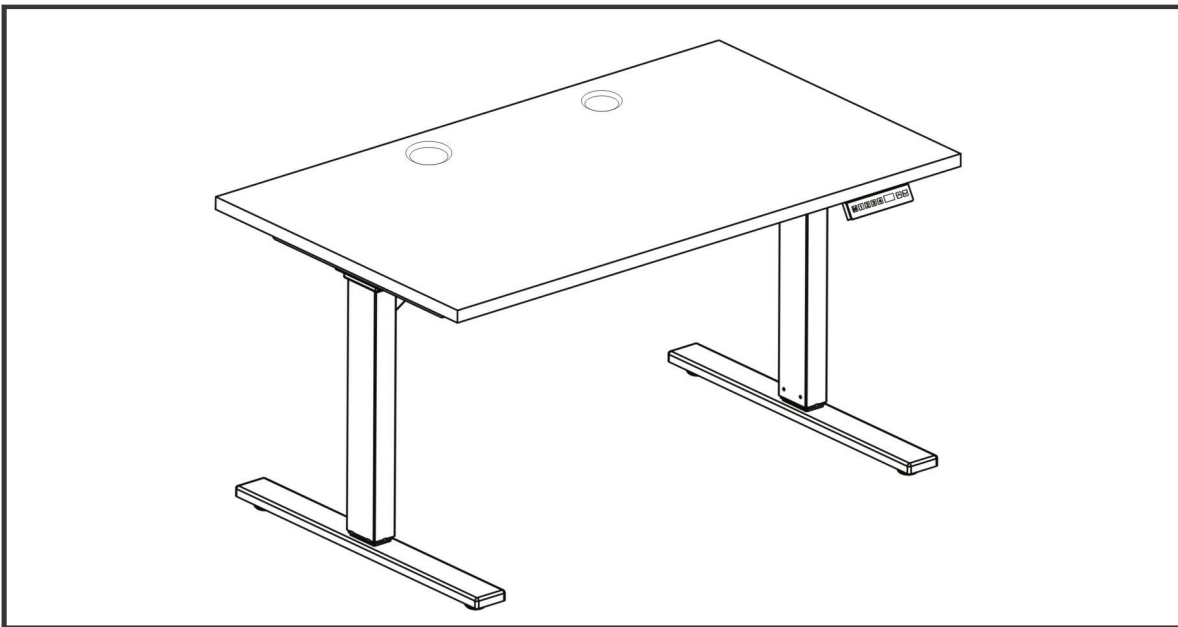




ANDROMEDA Electric Workstation Base - 2 Leg

Models: AWB-2B & AWB-2S

User Guide



ErgoVerse Ergonomics Ltd.
PO Box 9022 Saskatoon SK S7K 7E7

Web: www.ergoverse.com

Email: info@ergoverse.com

Toll-Free: 1 (844) 748-9355



CAUTION

MAKE SURE NO OBSTACLES ARE IN THE DESK'S PATH AND THAT ALL CORDS ARE OF APPROPRIATE LENGTH FOR DESK TRAVEL. FAILURE TO COMPLY WITH OR OBSERVE ALL ASSEMBLY, SAFETY, AND OPERATION INSTRUCTIONS AND WARNINGS REGARDING THE USE OF THIS PRODUCT MAY RESULT IN SERIOUS PROPERTY DAMAGE OR BODILY INJURY

IMPORTANT:

Any user or installer of desk base must study this manual carefully.
If this desk is sold, please provide the manual to the buyer.



TABLE OF CONTENTS

1. SAFETY AND WARNINGS.....	2
2. USAGE.....	2
3. SETUP AND INSTALLATION.....	2
4. PARTS LIST.....	3
5. ASSEMBLY INSTRUCTIONS.....	4
6. TECHNICAL SPECIFICATIONS.....	8
7. TROUBLESHOOTING GUIDE.....	8

1. SAFETY AND WARNINGS

- Inappropriate use of this product may cause property or bodily injury.
- Check surroundings on all sides before using the desk. Body parts and property can be crushed if trapped between an immobile obstacle and the desk's range of motion.
- Ensure that the length of power cords are accounted for when operating the desk. Monitors, CPUs, speakers, on anything with a cord that is not long enough for the desk's range of motion could be pulled down or have its wires broken. Items pulled off the desk may cause other items to fall.
- Please provide this operation manual to any users, installers, or support personnel operating the product.

2. USAGE

This height adjustable desk has electric motors and is designed for use in dry work areas only. The desk height is adjustable so that it can be positioned at the most ergonomically suitable height. These desks are designed only for the purposes included in this manual. They should not be used in environments with high humidity or dampness. Any other use is at user's risk.

Do not move around, crawl or lie under the the desk frame. Do not sit or stand on the desk frame.

Children should never use the desk unless they are supervised by adults.

Liability: Under no circumstances does the manufacturer accept warranty claims or liability claims for damages caused from improper use or handling of the desk frame other than that which is described in this operation manual.

3. SETUP AND INSTALLATION

Once the desk has been assembled, adjust the feet so that the desk is level and does not shift its position. After this, connect the desk to the 110V outlet and the desk is ready for use.

Check that no cables can get jammed.

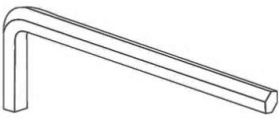
Choose a placement for the desk that is a safe distance from window frames, radiators, furniture, etc. to ensure that people do not get stuck or trapped by the desk.

Do not place any objects that are taller than 50 cm (20") underneath the desk.


After it has been assembled, when moving the desk, DO NOT lift the desk by the desktop. Lifting this way can stress the fasteners connecting the desk base to the desk top. Lower the desk completely and lift the desk by grasping the top of the desk base or by removing the desk top first.

4. PARTS LIST

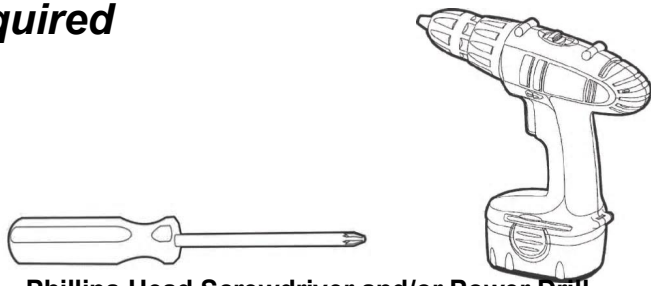
Tools Required



Allen Wrench (included)

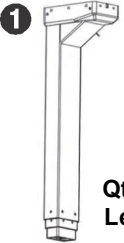


Tape Measure

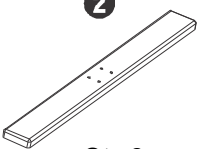


Phillips Head Screwdriver and/or Power Drill

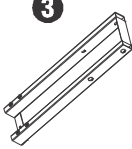
Components



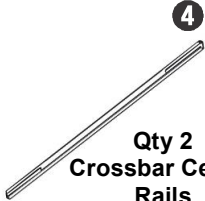
Qty 2
Legs



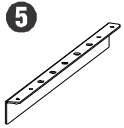
Qty 2
Feet




Qty 2
Crossbar End



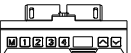
Qty 2
Crossbar Centre
Rails




Qty 2
Side Brackets



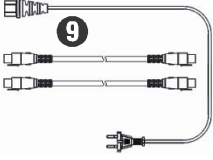
Qty 1
Control Box



Qty 1
Handset




Qty 4
Levelling
Studs




Qty 3 Wires
Qty 1 Power Cord
Qty 2 Connecting
Cables


Hardware




Qty 24
M6x12
Machine
Screws




Qty 8
M8x6
Grub
Screws



Qty 14
M-5x20
Pan Head
Screws

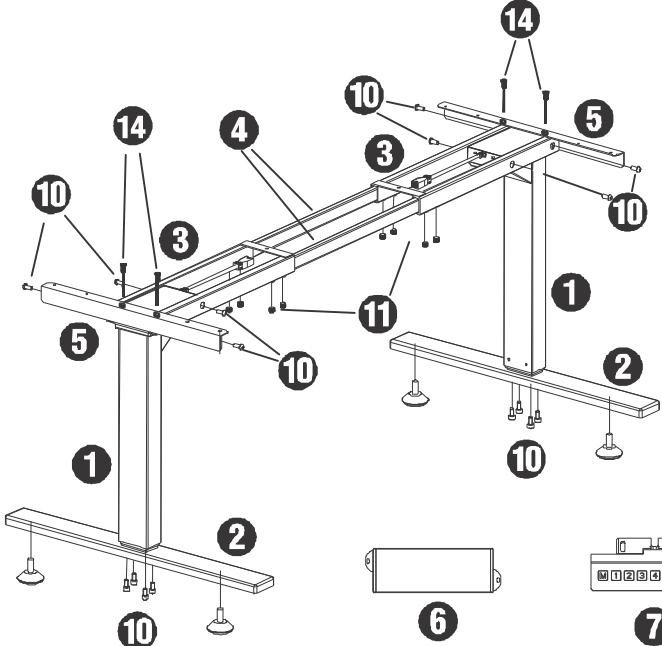


Qty 5
Cable Clips



Qty 4 M6x6
Flat Head
Screws

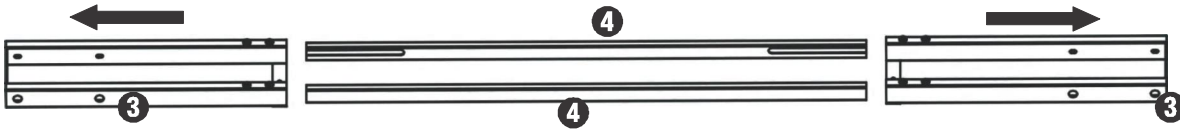
Please count all pieces before disposing of any carton or packing materials. Use a padded or carpeted area for assembly to avoid damage. For ease and safety, we recommend two people for assembly



Part #	Description	Qty
1	Leg	2
2	Foot	2
3	Crossbar End	2
4	Crossbar Center Rail	2
5	Side Bracket	2
6	Control Box	1
7	Handset	1
8	Levelling Studs	4
9	Wires (Power and Connector Wires)	3
10	M6x12 Machine Screws	16
11	M8x6 Grub Screws	8
12	M-5x20 Pan Head Screws	8
13	Cable Clips	5
14	M6x6 Flat Head Screws	4

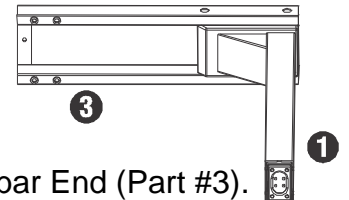
5. ASSEMBLY INSTRUCTIONS

- A. First lay out all components and hardware to ensure that you have all the parts listed on the components list. Then slide Crossbar Center Rails (Part #4) out of Crossbar Ends (Part #3).



Turn Legs (Part #1) and Crossbar End (Part #3) on their sides.

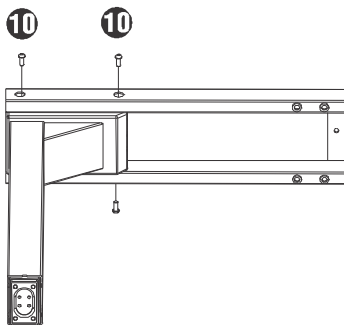
This will end up being the top side of the desk.



Line up the holes on each Leg (Part #1) with the holes on each Crossbar End (Part #3).

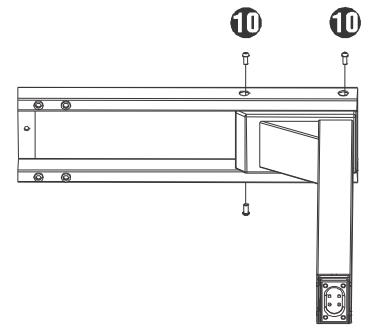
- B. **IMPORTANT! DO NOT TIGHTEN SCREWS IN THIS STEP, ONLY INSERT THEM AND ROTATE 3 TIMES. YOU WILL TIGHTEN IN STEP D.**

Insert qty 4 Machine Screws (Part #10) through the 4 holes of each Crossbar End (Part #3) going into the Leg (Part #1). Using the Allen Wrench, rotate each screw ONLY 3 times.



! Do not tighten machine screws yet, only rotate each 3 times.

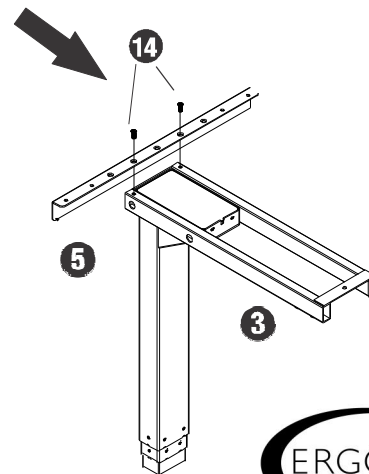
! If you drop a screw inside the Crossbar End, simply tilt to retrieve the screw.



- C. **IMPORTANT! DO NOT TIGHTEN SCREWS IN THIS STEP, ONLY INSERT THEM AND ROTATE 3 TIMES. YOU WILL TIGHTEN IN STEP D.**

Line up the 2 holes on the Side Brackets (Part #5) with the Crossbar End and Leg assembly from the previous step.

Insert qty 2 Flat Head Screws (Part #14) through the 2 holes of the side bracket (Part #5) going into the Crossbar End/Leg Assembly. Using the Allen Wrench, rotate each screw ONLY 3 times.

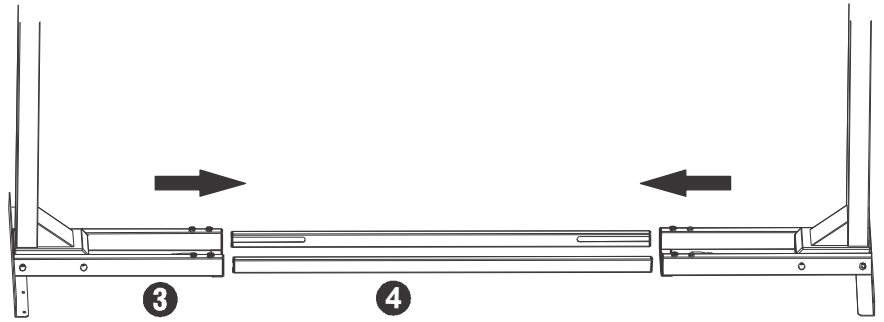


! If you are having trouble getting all the screws started, it is because other screws are too tight. You will need to back out some screws in order to loosen the tolerance.

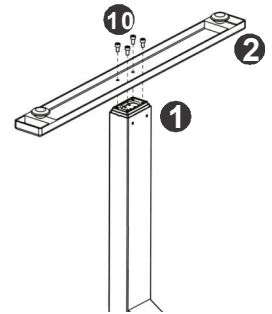
5. ASSEMBLY INSTRUCTIONS *(continued)*

D. Once all of these screws have been started, you can now tighten the qty 4 Machine Screws (Part #10) from Step C and the qty 4 Machine Screws (Part #10) described in Step B (8 screws in total).

E. The Crossbar Center Rails (Part #4) are optional. They provide more stability but if not needed they can be skipped during installation or removed later. Slide Crossbar Center Rails (Part #4) back into Crossbar Ends (Part #3). Ensure that the slots of the Crossbar Center Rails are facing inward.



F. Attach each foot (Part #2) with qty 4 Machine Screws (Part #10) and tighten bolts in a cross pattern.

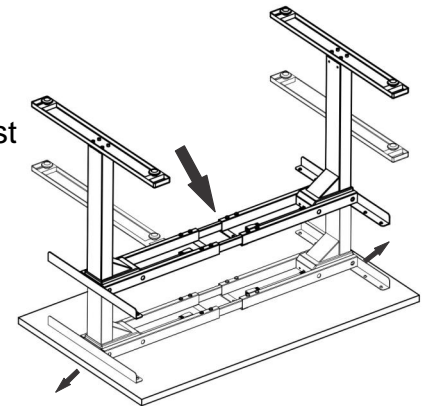


G. Your desktop may or may not be pre-drilled. Please check both sides of the desktop before placing the desk base on it for pre-drilling! Carefully place the upside down desk base on the underside of the desktop.

Note: minimum top size: 110 cm (43+) wide x 60 cm (23.5+) deep.

Adjust the width of the base to fit the desktop by sliding the two halves outward. 101 cm (40+) to 181 (71+) max.

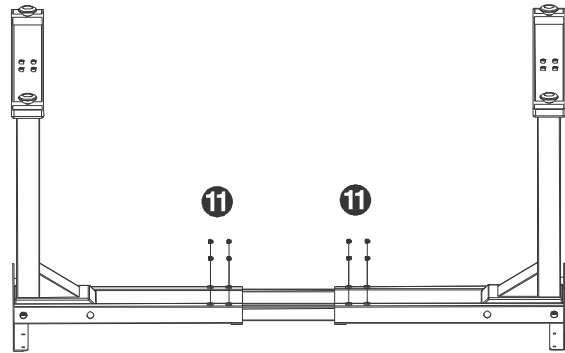
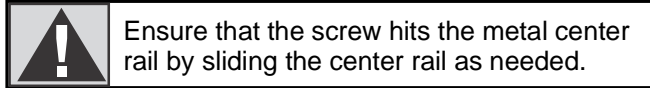
Place the base where you want it. Some will want the frame to be all the way to the edge of the desk. We recommend leaving at least 5 cm (2+) of desktop width (on each side) protruding beyond the frame width.



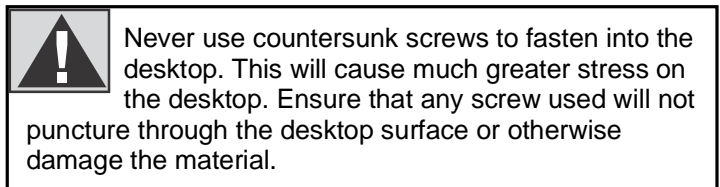
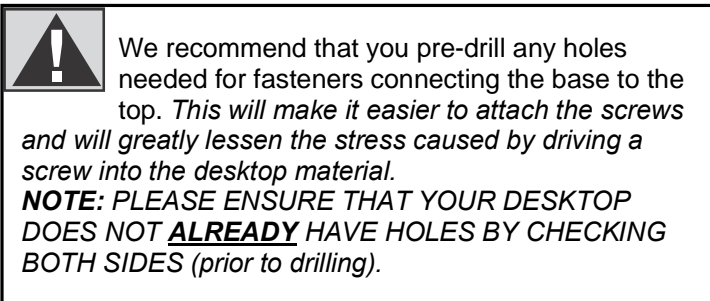
Center the frame by using the desktop edge as a reference. Measure to the metal brace.
Do not use the screw holes as a point of reference

5. ASSEMBLY INSTRUCTIONS (continued)

H. Secure the Center Rails at both ends using qty 8 Grub Screws (Part #11), qty 4 per side.



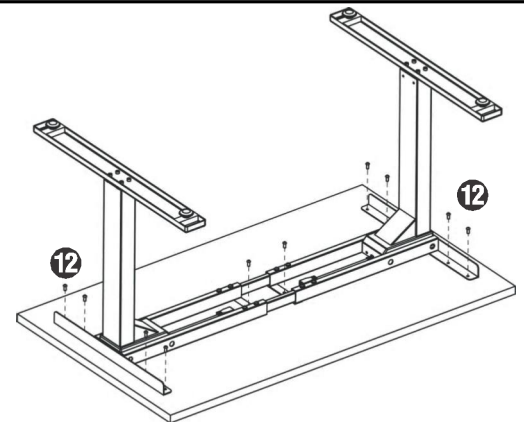
I. Double-check that the base is centered on the underside of the desktop and is located where you want it. Also, double-check that the included wood screws are not too long for your desktop and screwed all the way in.



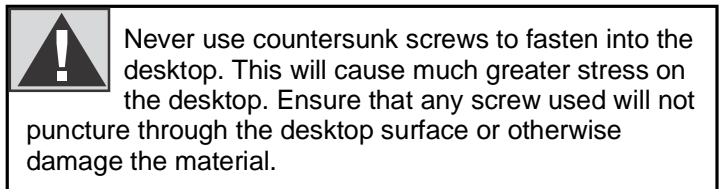
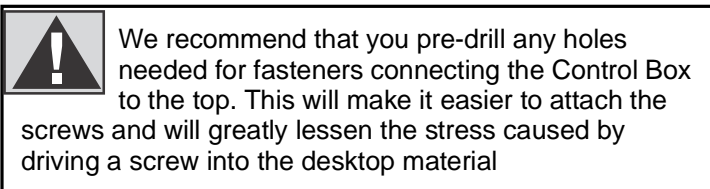
Now Proceed with securing the desk base to the desktop using qty 10 of the Pan Head Screws (Part #12)

Install as follows:

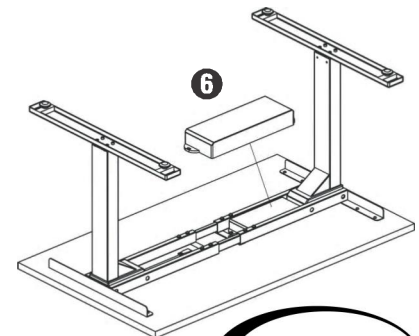
- 4 per Side Bracket (left and right)
- 1 per Crossbar End (left and right)



J. IN THIS FOLLOWING STEP, DO NOT OVERTIGHTEN SCREWS. OVER TIGHTENING COULD CAUSE THE PLASTIC ON THE COMPONENTS TO BREAK.



Use qty 2 of the Pan Head Screws (Part #12) to attach the Control Box (Part #6). Ensure enough clearance at the wire ports for cable connections.

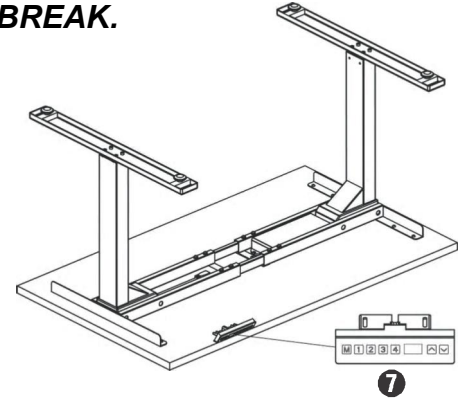


5. ASSEMBLY INSTRUCTIONS *(continued)*

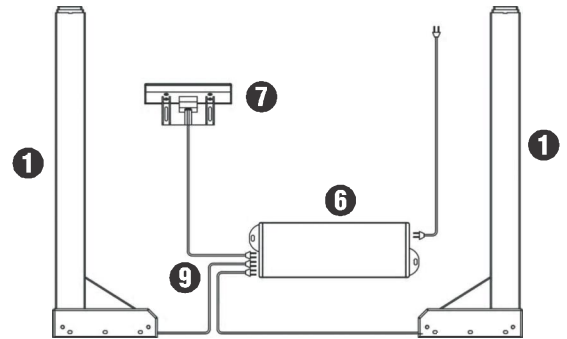
K. **IN THIS FOLLOWING STEP, DO NOT OVERTIGHTEN SCREWS. OVERTIGHTENING COULD CAUSE THE PLASTIC ON THE COMPONENTS TO BREAK.**

Place the Handset (Part #7) so the front of the Handset runs flush with the desktop edge. The Handset can be placed anywhere along the front edge of the desk, but we recommend placing it near the side so it doesn't interfere with your chair or legs when seated.

Use qty 2 of the Pan Head Screws (Part #12) to attach the Handset (Part #7) to the desktop.



- L. Connect the Wires as per the diagram below. Use the adhesive-backed Cable Clips (Part #13) to secure the Connecting Wires, so they don't sag.



- M. Turn the assembled desk right-side-up. With two people grab the desk by the base (not the desktop) and turn the desk right-side-up. Adjust the Leveling Studs (Part #8) on the Feet (Part #2) as needed.



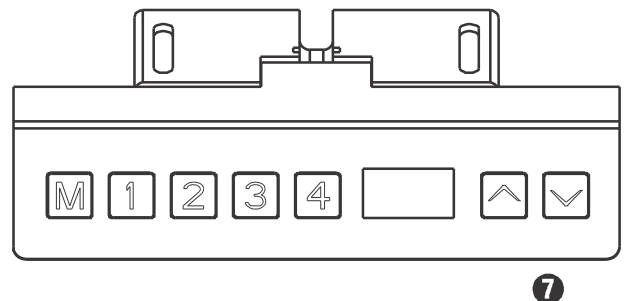
MAKE SURE NO OBSTACLES ARE IN THE DESK'S PATH.
MAKE SURE ALL CORDS ARE OF A LENGTH THAT WILL ACCOMMODATE THE CHANGE IN HEIGHT.

- N. Plug the Power cord into a 110V outlet.

IMPORTANT!

You must RESET the desk prior to use:

Press and hold the DOWN button on the Handset (Part #7) until the desk reaches its lowest height. Release the DOWN button. Press and hold the DOWN button again for about 10 seconds until the desk lowers a little bit more, slightly rises and stops. Release the DOWN button.



Your desk is now ready to use.

To program up to 4 presets: Use the up/down buttons to find a desired height then press **M+** followed by a number 1-4.

6. TECHNICAL SPECIFICATIONS

Height Range	60 cm (24+) - 125 cm (50+)	Weight Capacity	100 kg (220 lbs)
Base Width	101 cm (40+) min - 181 cm (71+) max	Duty Cycle	10%, Max 2 mins. on, 18 mins off
Travel Speed	38 mm (1.5+) per second	Features	4 Memory Presents Soft Start/Stop Adjustable Levelling Studs

7 TROUBLESHOOTING

– RESET INSTRUCTIONS –

If experiencing error messages showing on the Handset or no response when trying to raise or lower:

- Unplug the power cord and hold the DOWN button key for 20 seconds.
- Plug the power cord back in.
- Press and hold the DOWN button on the handset (Part #7) until the desk reaches its lowest height. Release the DOWN button. Press and hold the DOWN button again for about 10 seconds until the desk lowers a little bit more, slightly rises and stops. Release the DOWN button. Your desk is now ready to use.
- The Handset will then display the current height, and you should be able to operate it now.
- You may need to do this if the desk is ever unplugged or loses power.
- If the handset displays $\%r1+$ or $\%r2+$, confirm that all wired connections are secure (legs to cables, cables to control box). Then perform the reset procedures above. If the error message persists after the reset procedure or if the height between the legs exceeds 5 cm (1.5 inches) stop the reset procedure and contact us or local distributors.
- If the handset displays $\#Hot+$, let the base cool down for 20 minutes.
- If the desk seems to be uneven, try the reset instructions above. If that does not work you may need to adjust the levelers at the bottom of the foot.



In the event of a power outage or if the power cord is unplugged a manual reset may be necessary (see Reset Instructions above)



This product is designed with a duty cycle of 10% (2 minutes ON, 18 minutes OFF).



Keep children away from electric height-adjustable desks, control units and handsets. There is a risk of injury and electric shock.



Do not open any of the components: lifting columns, control box, or handset. There is a danger of electric shock.



Keep all electrical components away from liquids



ErgoVerse Ergonomics Ltd.
PO Box 9022 Saskatoon SK S7K 7E7

Web: www.ergoverse.com

Email: info@ergoverse.com

Toll-Free: 1 (844) 748-9355