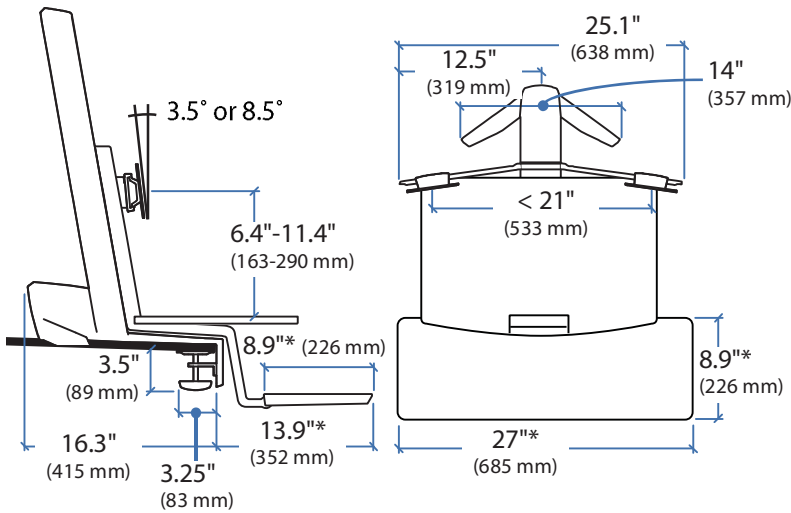
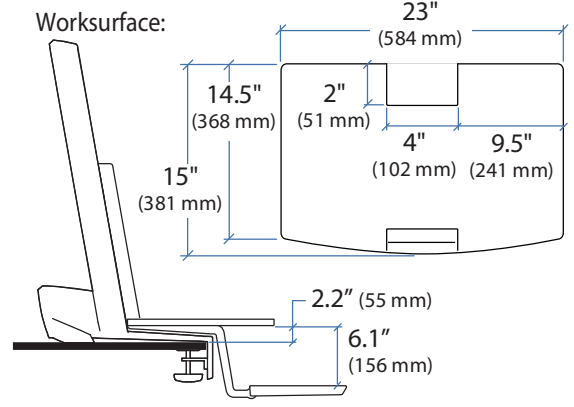
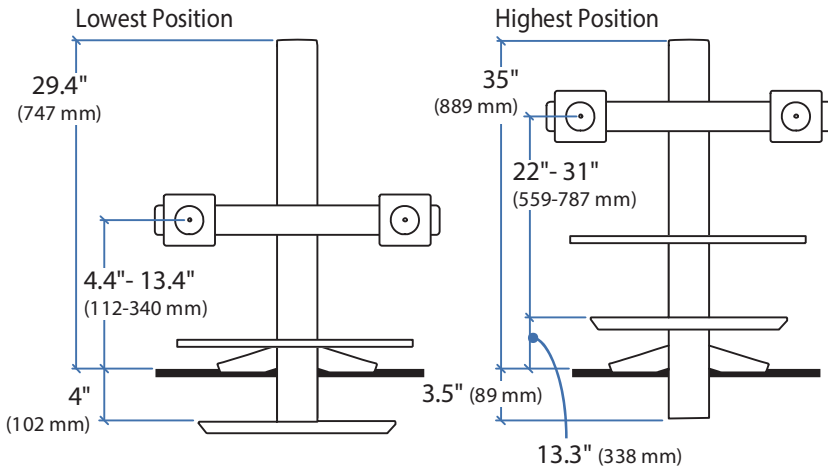
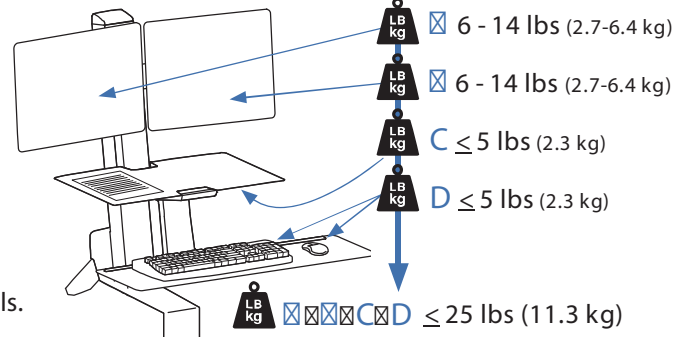


### WorkFit-S with Worksurface, Dual

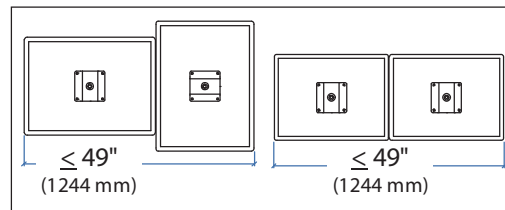
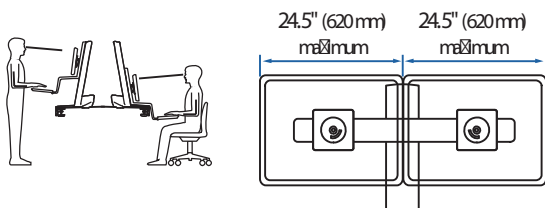


\*Keyboard Tray has 9 Mounting Locations - see page 5 for details.

#### Weight Capacity:

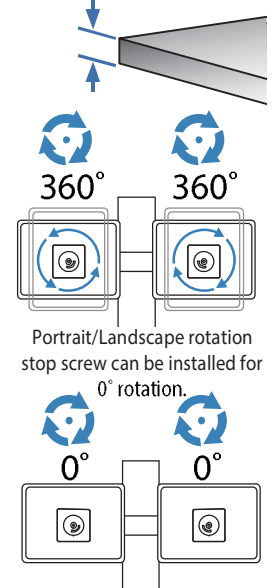
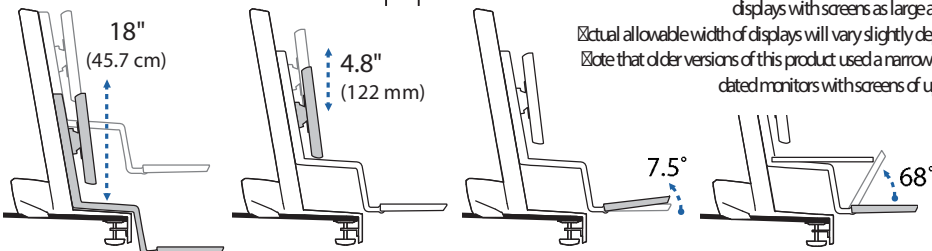


Desk Thickness: ≤ 2.4" (60 mm)



This range accommodates most displays with screens up to 24" as well as some displays with screens as large as 26".

Actual allowable width of displays will vary slightly depending on display thickness.  
Note that older versions of this product used a narrower crossbar, which accommodated monitors with screens of up to 22"



© 2014 Ergotron, Inc. rev. 06/25/2014 DIM-WorkFit-S-Worksurface Content is subject to change without notification

Americas Sales and Corporate Headquarters

EMEA Sales

APAC Sale

Worldwide OEM Sales

St. Paul, MN USA  
(800) 888-8458  
(615) 651-681-7600  
www.ergotron.com  
sales@ergotron.com

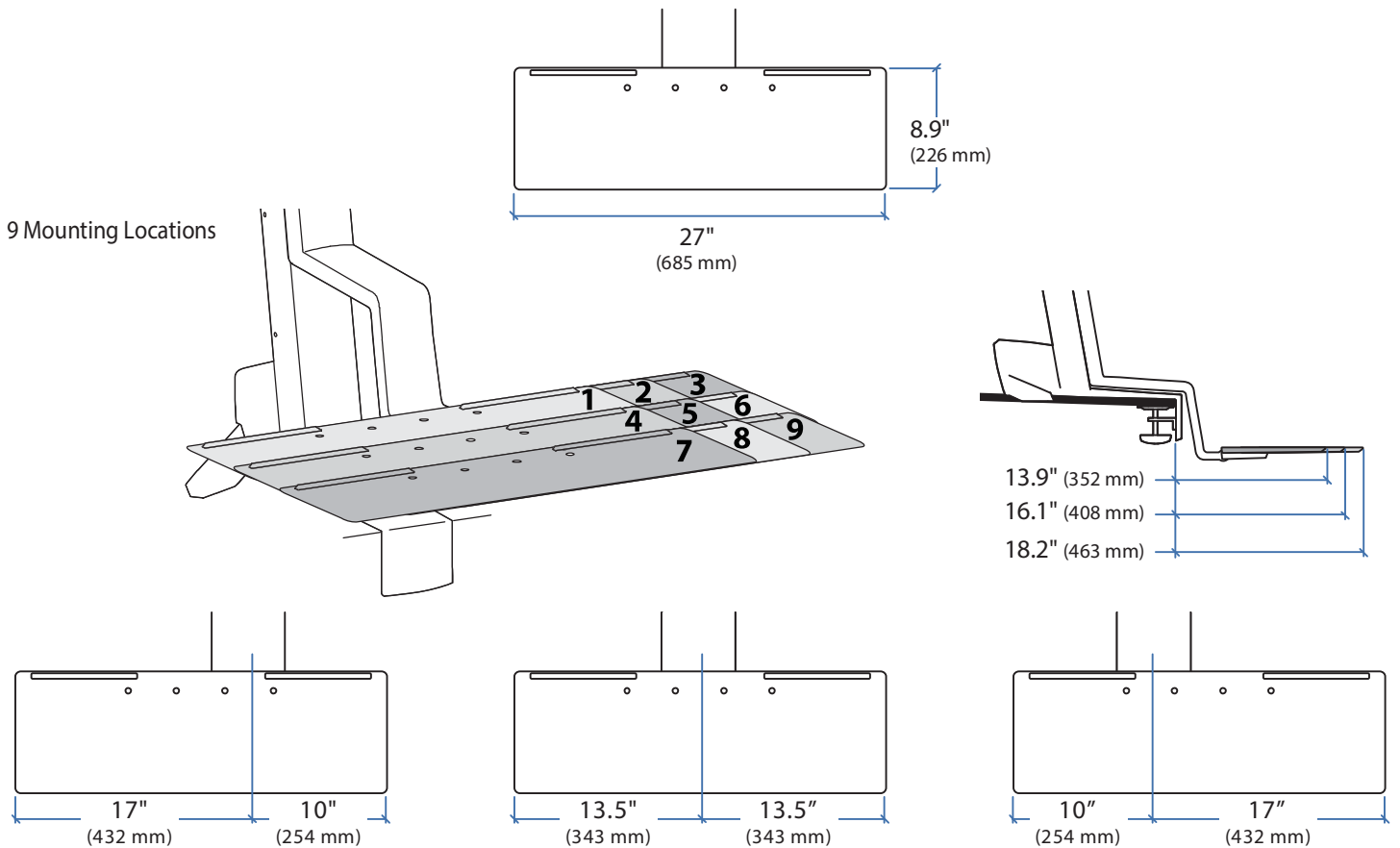
Eindhoven, The Netherlands  
+31 33 45 45 600  
www.ergotron.com  
info.eu@ergotron.com

Tokyo, Japan  
www.ergotron.com  
apaccustomerservice@ergotron.com

www.ergotron.com  
info.oem@ergotron.com



### WorkFit-S with Worksurface, Keyboard Tray



© 2014 Ergotron, Inc. rev. 06/25/2014 DIM-WorkFit-S-Worksurface Content is subject to change without notification

Americas Sales and  
Corporate Headquarters

St. Paul, MN USA  
(800) 888-8458  
1-651-681-7600  
www.ergotron.com  
sales@ergotron.com

EMEA Sales

Utrecht, The Netherlands  
31 33 45 45 600  
www.ergotron.com  
info.eu@ergotron.com

APAC Sale

Tokyo, Japan  
www.ergotron.com  
apaccustomerservice@ergotron.com

Worldwide OEM Sales

www.ergotron.com  
info.oem@ergotron.com

