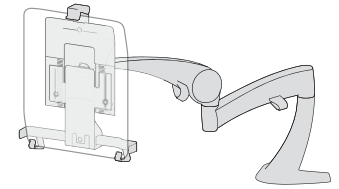
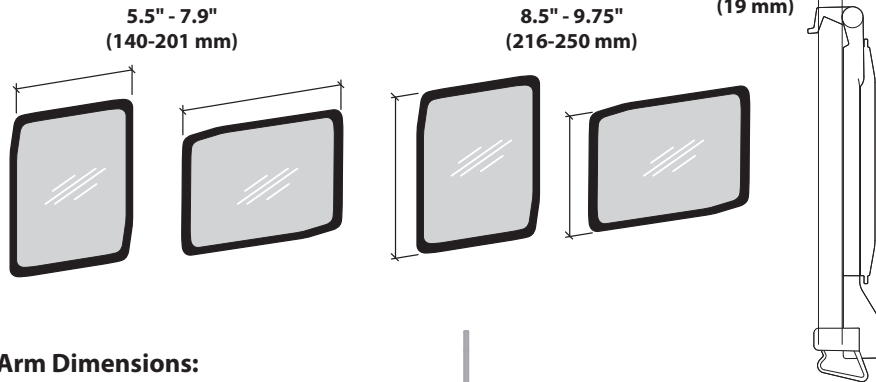


Ergotron® Neo-Flex™

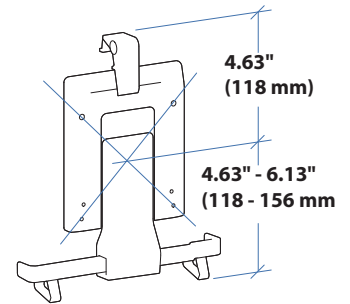
Tablet Arm

Dimensional & Range of Motion Illustrations

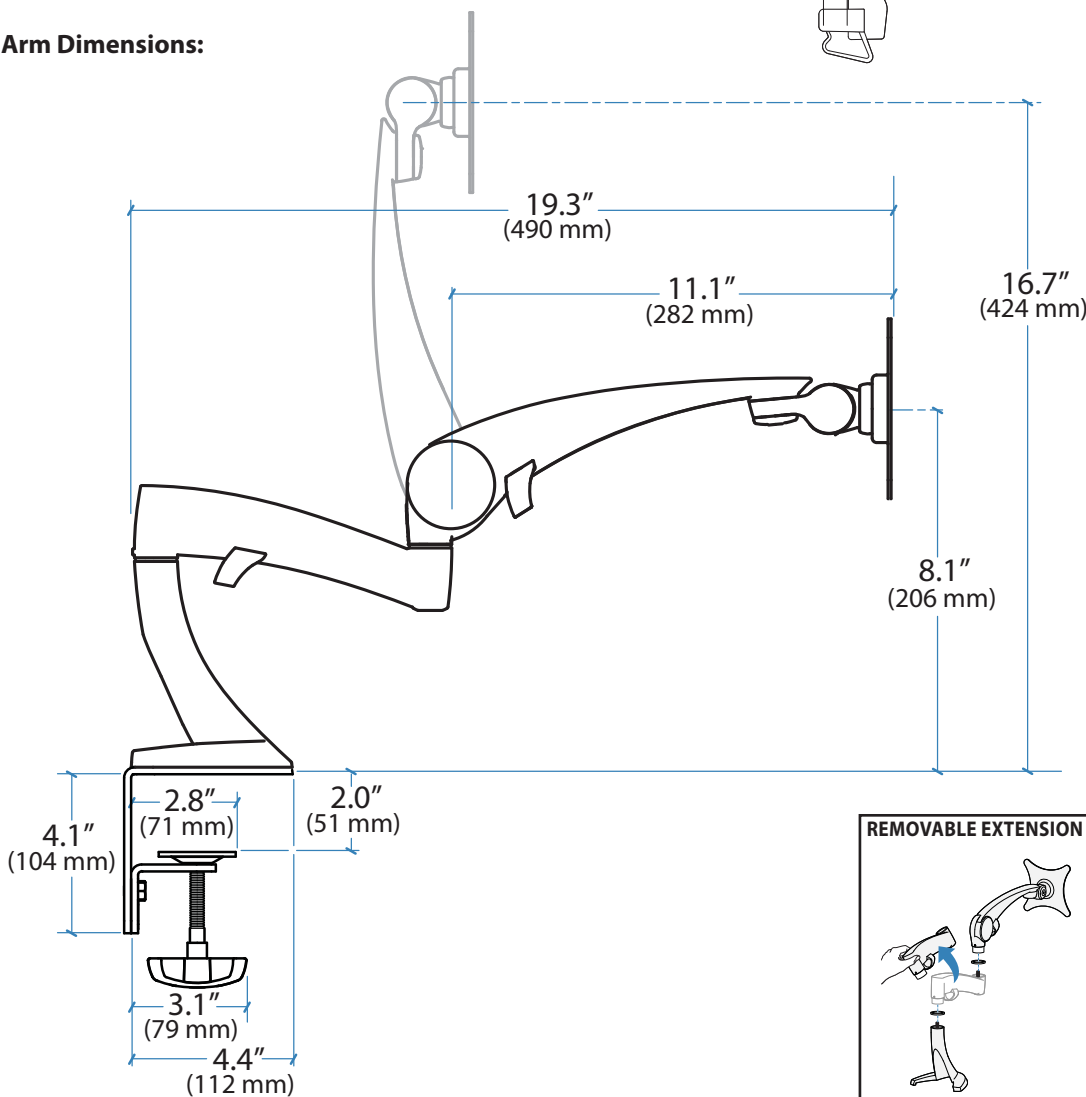
Tablet Size:



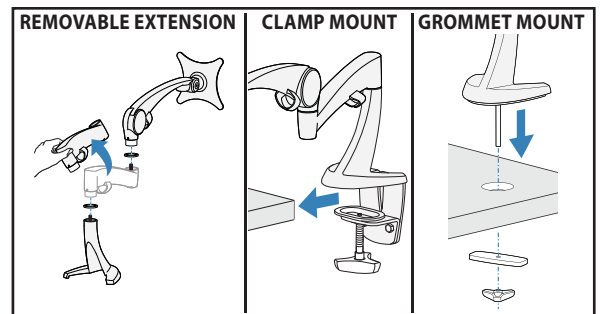
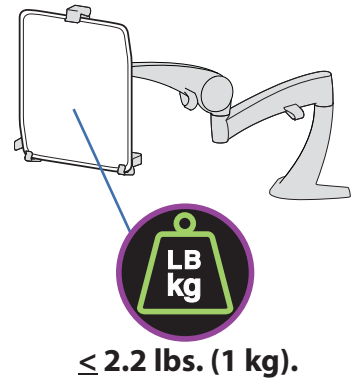
Tablet Cradle Dimensions:



Arm Dimensions:



Tablet Weight Capacity:



© 2012 Ergotron, Inc. rev. 02/30/2012 DIM-NFTabletArm Content is subject to change without notification

Americas Sales and Corporate Headquarters

St. Paul, MN USA
 (800) 888-8458
 +1-651-681-7600
 www.ergotron.com
 sales@ergotron.com

EMEA Sales

Amersfoort, The Netherlands
 +31 33 45 45 600
 www.ergotron.com
 info.eu@ergotron.com

APAC Sale

Tokyo, Japan
 www.ergotron.com
 apaccustomerservice@ergotron.com

Worldwide OEM Sales

www.ergotron.com
 info.oem@ergotron.com

