

Levō

Owner's Manual

Item# 33760

Deluxe Tablet Floor Stand

MTM Warranty

We're dedicated to making your LEVO experience the best it can be. We provide a Three Year Warranty with this model# 33778. See our website for details: www.LEVOstore.com.

MTM, Inc. is not responsible for damage to any device caused by improperly securing device to LEVO.

Questions?

Please do not contact your retailer

As the manufacturer, we are most knowledgeable of this item. If you have any questions or issues regarding your new LEVO, use one of the methods below to contact our customer service.

email: sales@bookholder.com (best method to contact us)

Phone: 1-800-928-2322

Outside the USA 1-863-815-7077

www.LEVOstore.com

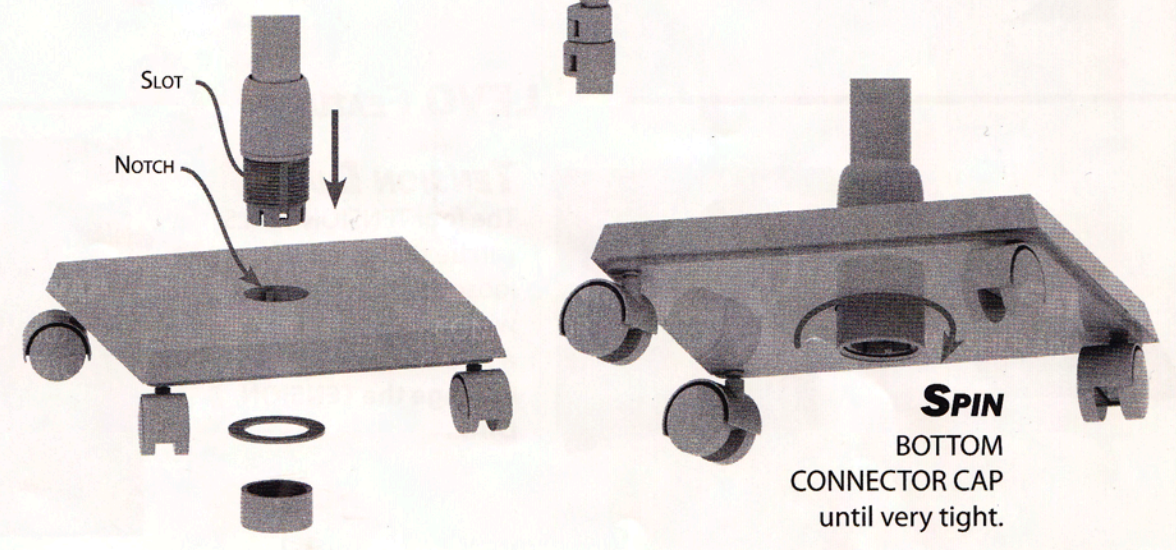
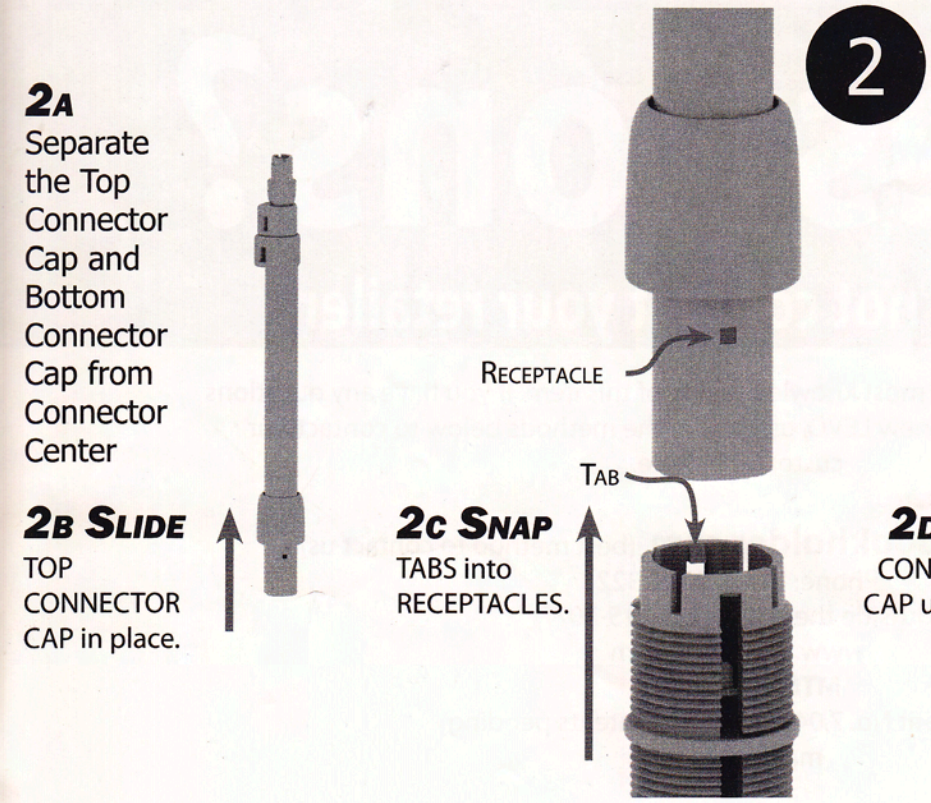
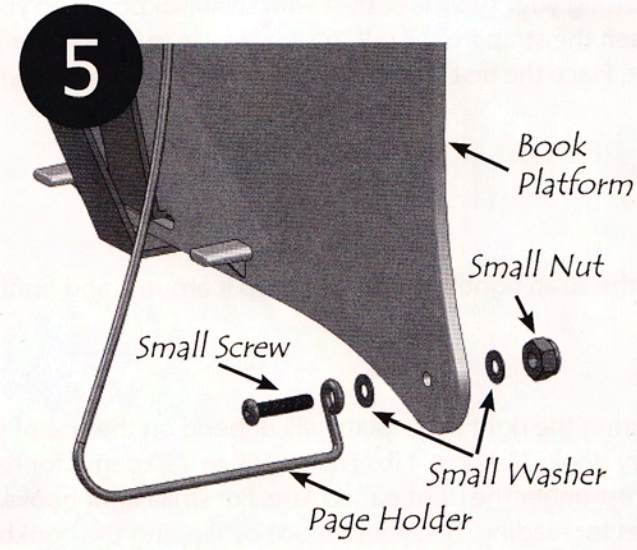
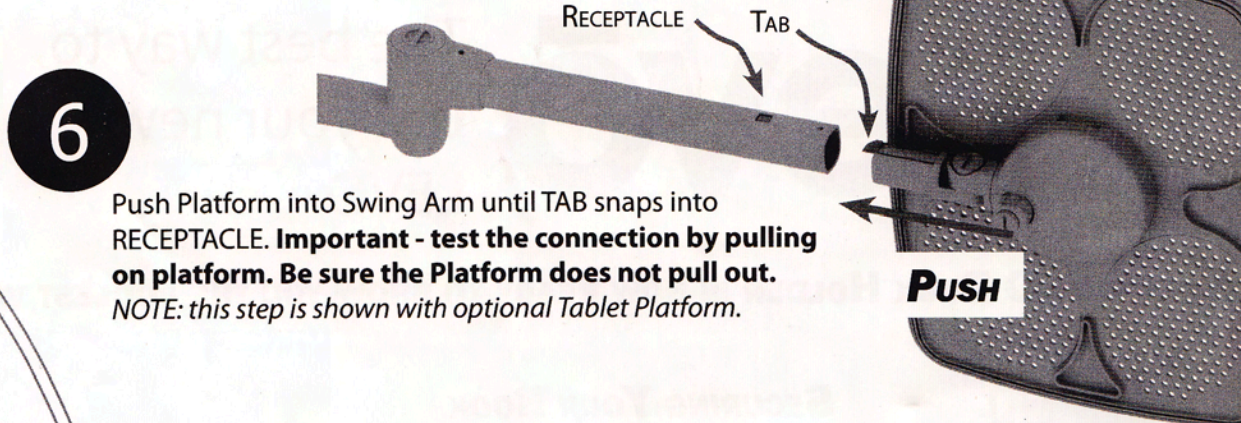
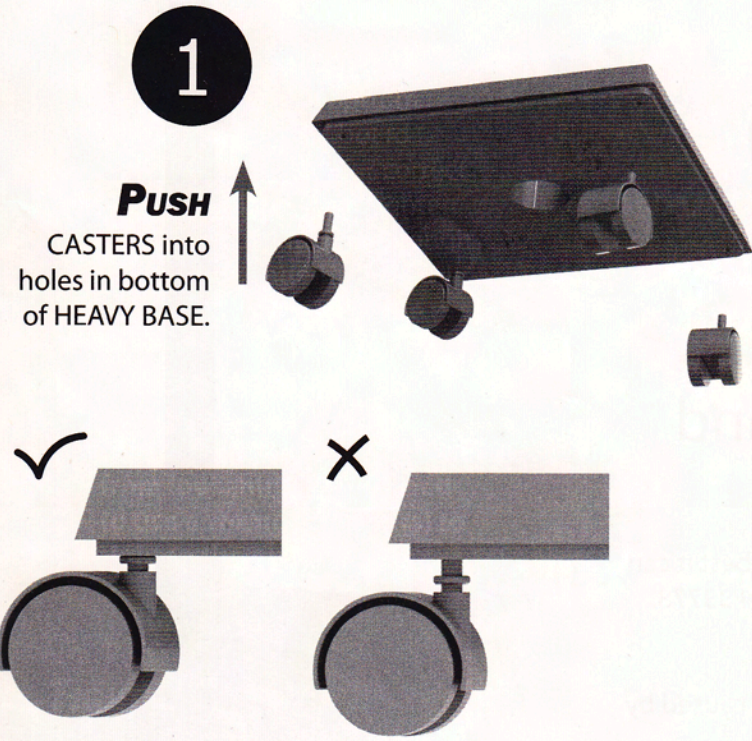
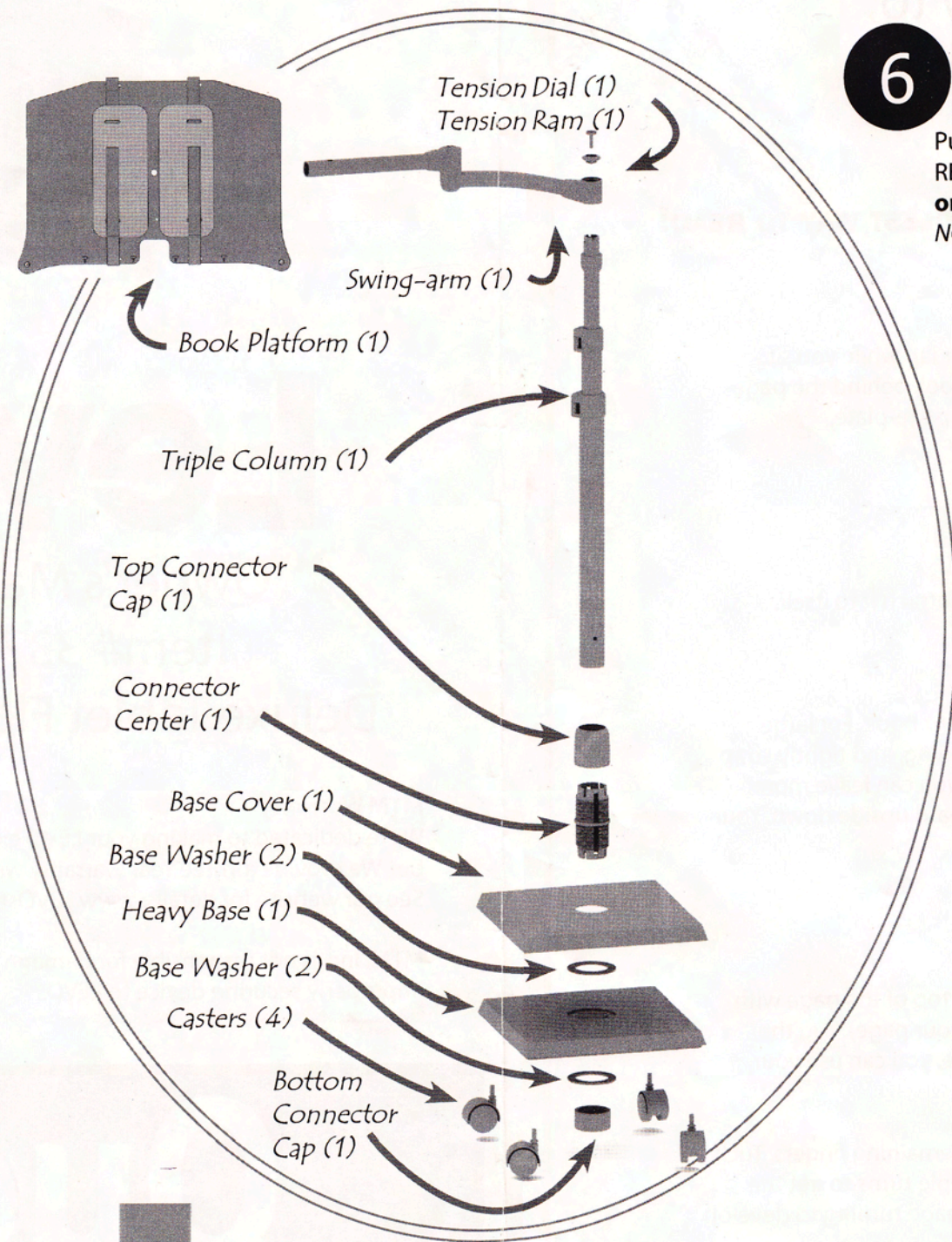
MTM Inc., U.S.A.

U.S. Patent No. 7,040,591 other patents pending
made in china

Levō

ASSEMBLY

LEVO Deluxe Tablet Floor Stand - tem# 33778



Levō

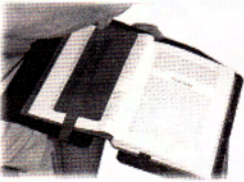
The best way to use your new LEVO

YOUR LEVO BOOK HOLDER IS NOW READY TO SHOW YOU THE COOLEST WAY TO READ!



SECURING YOUR BOOK

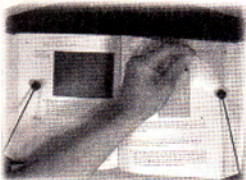
Mounting your book is easiest with the bookboard on your lap while you sit. Loosen the strap from itself to allow space to insert your book behind the page-plate. Place the first few pages of your book under the left page-plate.



Pull the strap tightly downward, loop it around, and firmly attach it to itself.



Securing the right page-plate will depend on the size of your book. For large heavy books (2 1/2 to 4 lbs.) leave 100 to 150 pages for reading, and tightly strap the rest under the right page-plate. For small light books, you can leave more pages for reading. Test your mount by flipping the bookboard upside down. Your book should remain firmly in place.



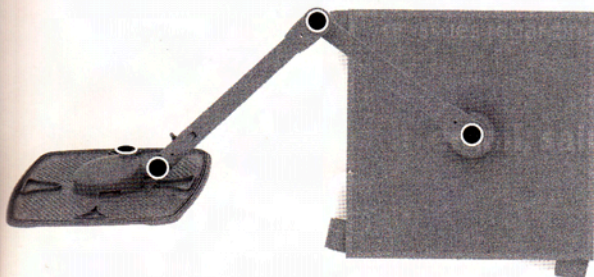
Turning Pages

Turning pages is easy, even with one hand. First, grasp the top of the page with your left hand (if you use your right hand, you might tear your page). Tug the page to the left, releasing it from the pageholder. Of course, you can use your right hand to lift the page-holder if you choose.



Next, turn the page and lift the left pageholder with your remaining fingers. Tuck the page under the page-holder and release. It takes a couple turns to get the hang of it. You can experiment with one and two handed page turning to develop your own technique.

LEVO FEATURES



TENSION DIALS

The four TENSION DIALS can be tightened or loosened to your desire with a coin. **Using a screwdriver will damage the TENSION DIAL.**



HEIGHT LOCKS

Adjusting your LEVO's height is quick with our LEVO quick snaps. **ALWAYS HOLD THE PLATFORM WHILE ADJUSTING HEIGHT.**