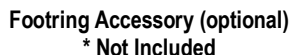
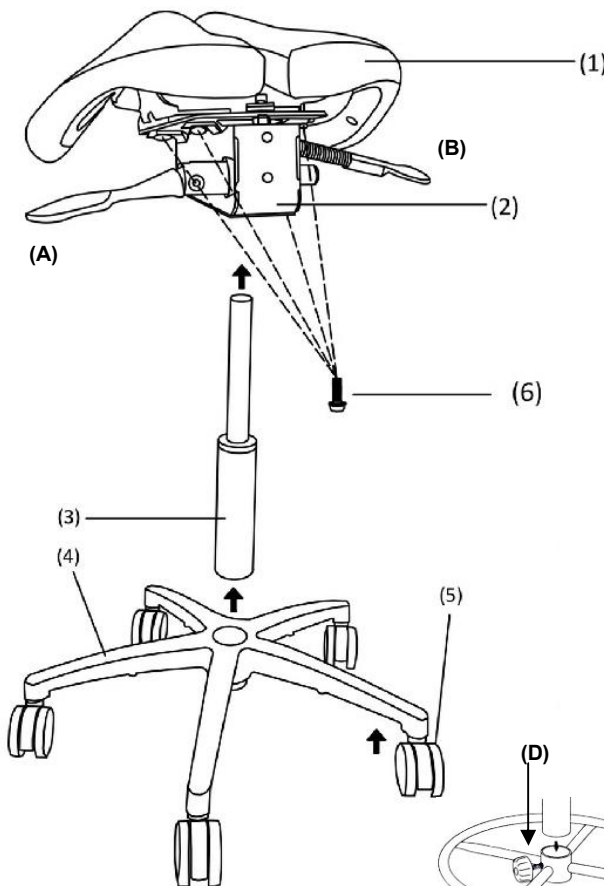
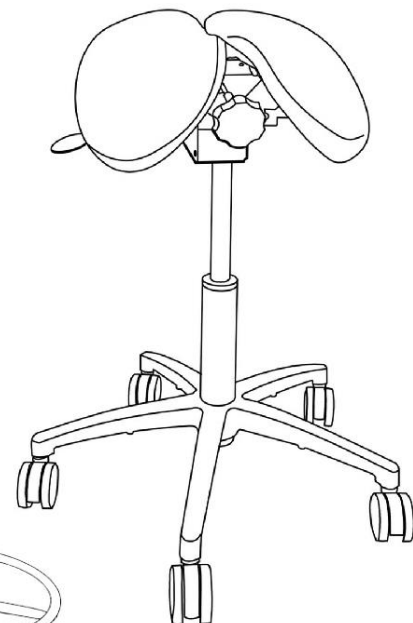
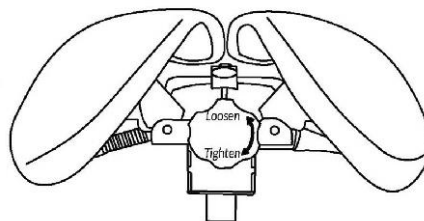
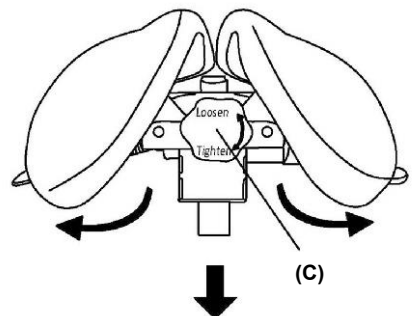


ASSEMBLY INSTRUCTIONS: Models: 903SNL-2F-AB, 903SNV-2F-AB

Parts List (verify prior to assembly)

- (1) Seat Top
- (2) Mechanism (w/Back Adjustment Function)
- (3) Gas Cylinder
- (4) Aluminum Base
- (5) Casters (x5) (or optional fixed glides)
- (6) M8 x 14 mm Screw (x4)

- * 1 x Adjustable Foot Ring (optional)
- * 5 x Glide Accessory (optional)



Please Read Instructions Fully Before Assembly

** Tools Needed: Phillips Head Screwdriver or socket/wrench

- Step 1: Lay out all parts and check against Parts List.
- Step 2: Insert the 5 casters (5) into the outer holes on the base (4).
(Note: Optional fixed glides can be purchased separately.)
- Step 3: Slide the Footring (if purchased) over the bottom of the Gas Cylinder, then insert the large bottom end of the Cylinder into the center hole on the Base.
- Step 4: Connect the mechanism (2) with the Seat Top (1) by using the 4 x M8 x 14mm screws (6) and tighten.
- Step 5: Place the Seat Top (1) with Mechanism (2) on top of the Gas Cylinder (3) and make sure the top of the Gas Cylinder has been properly fitted into the hole of seat Mechanism.

Mechanism Adjustment Functions:

- (A) **Seat Posture/Tilt Angle:** Pull up the left lever (A) to release the mechanism, then push lever down to lock the mechanism in place at the desired tilt angle.
- (B) **Seat Height:** Lift the lever on the right (B), let the seat rise or lower to the desired height, then release the lever.
- (C) **Seat Splay:** Turn adjustment knob (C) to the left to release the lock, spread seat halves to desired splay, and re-tighten lock by turning to the right..
- (D) **Footring Height** (if equipped): Loosen locking knob (D) by turning it to the left, raise or lower footring to desired height, tighten lock by turning to the right.

Caution: Do not use this chair as a step ladder.
Check for loose screws and tighten them every month.

As with any equipment, routine safety inspections should be conducted.

Distributed by:

Micwil Group of Companies Ltd.

The Micwil Building, 102 Wheeler St., Saskatoon SK S7P 0A9

Tel: 1-866-335-3746

www.micwil.com