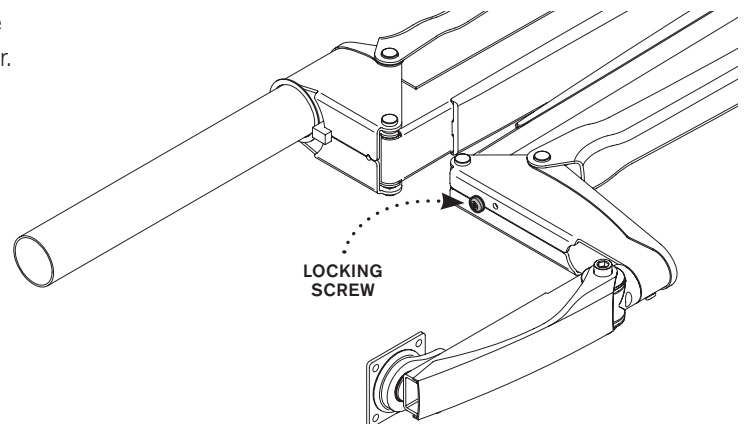


# WARNING!

There is a locking feature that prevents the arms from springing away from one another.

Removing the screw, shown right, will disengage the locking feature.

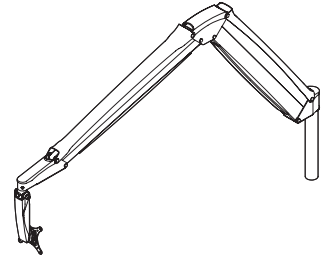
**Do not remove locking screw until arm is securely mounted and monitor is attached to arm (step 4).**



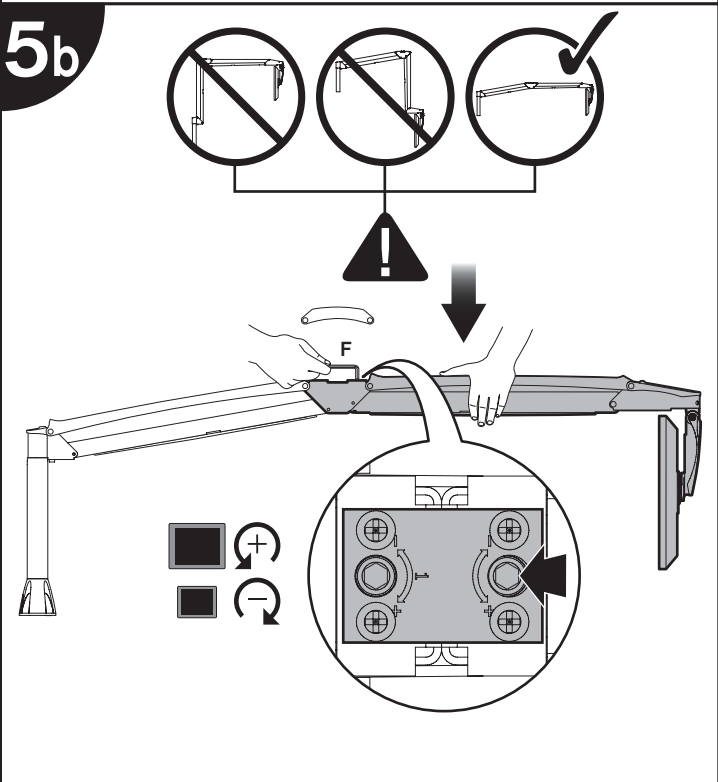
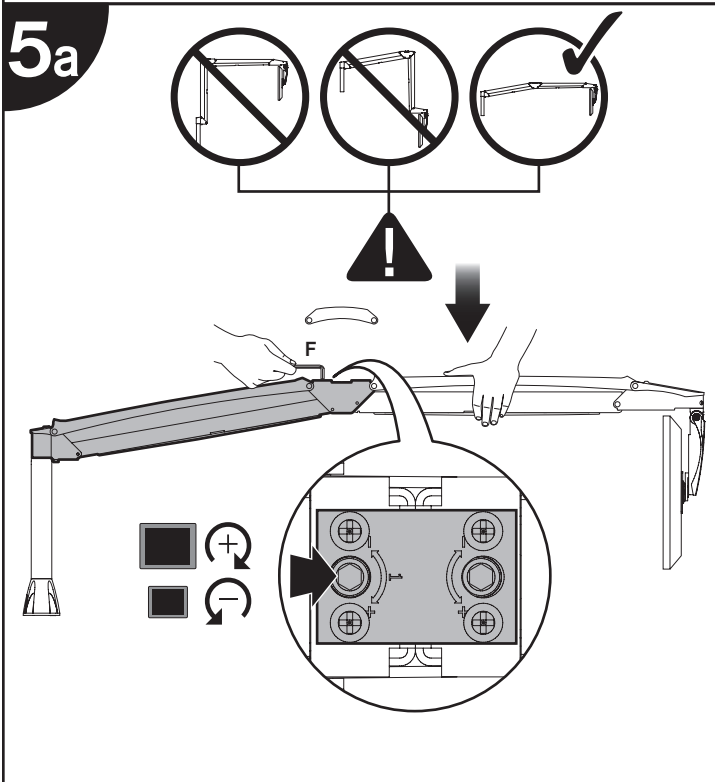
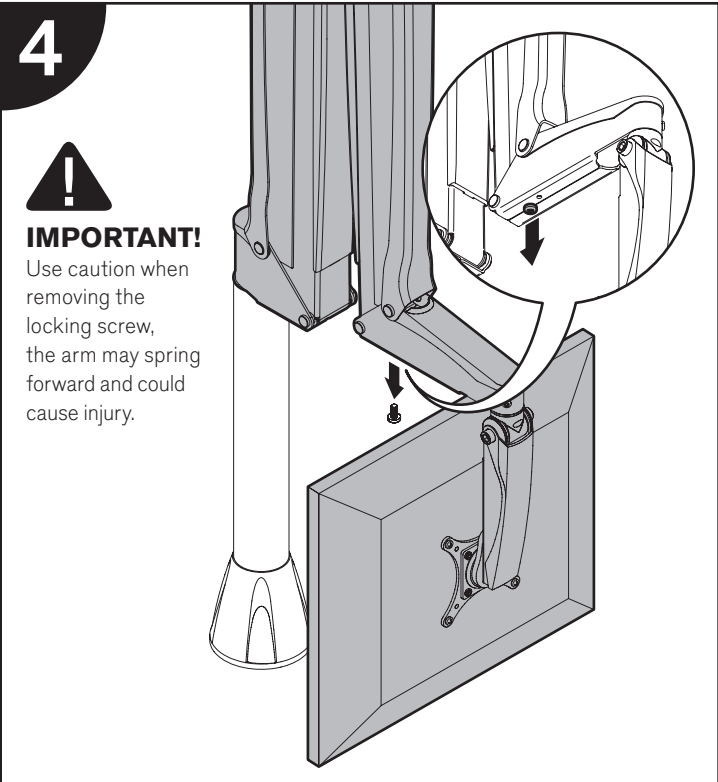
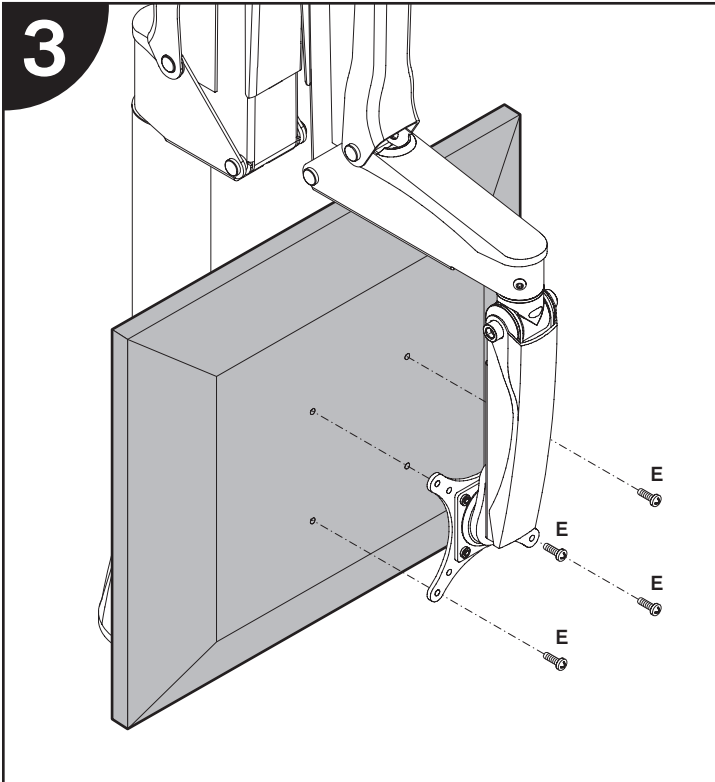


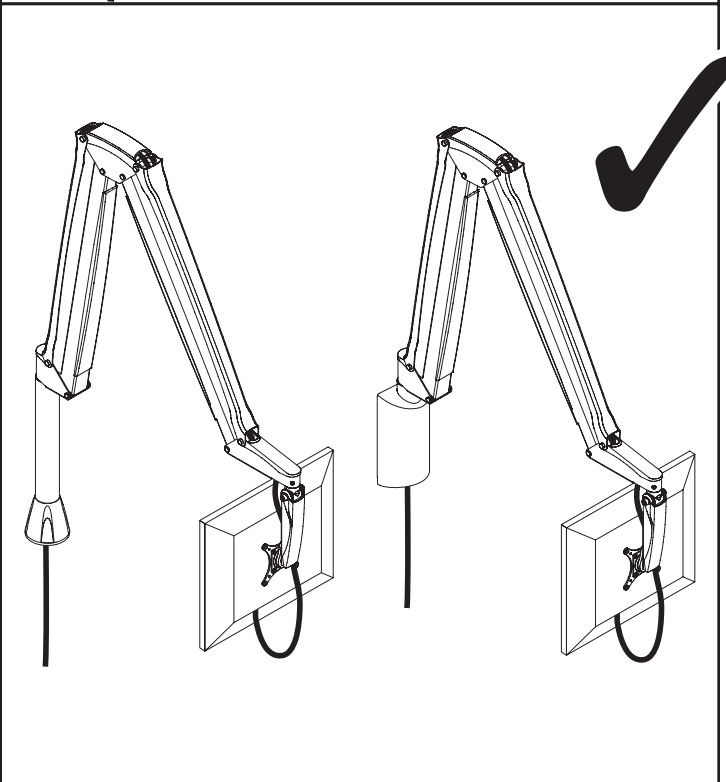
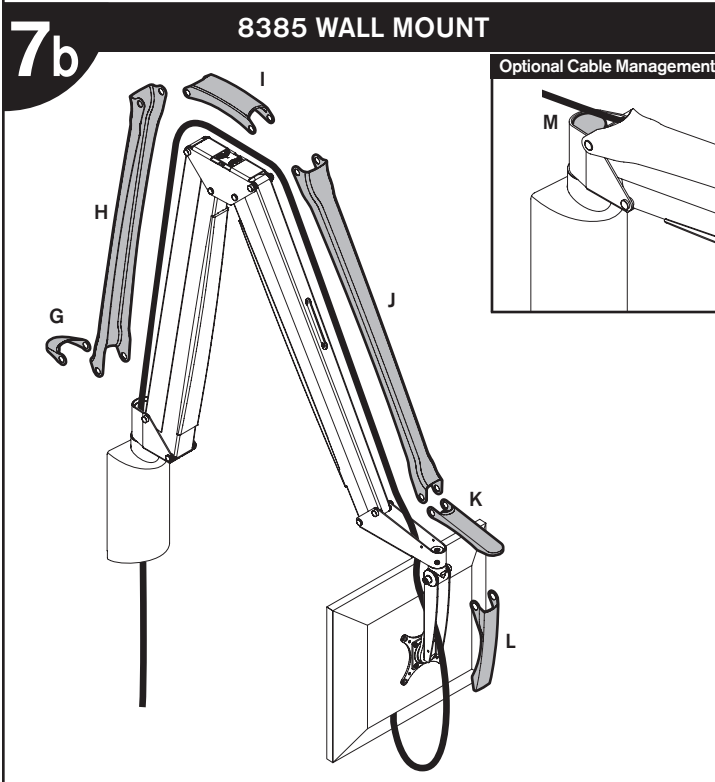
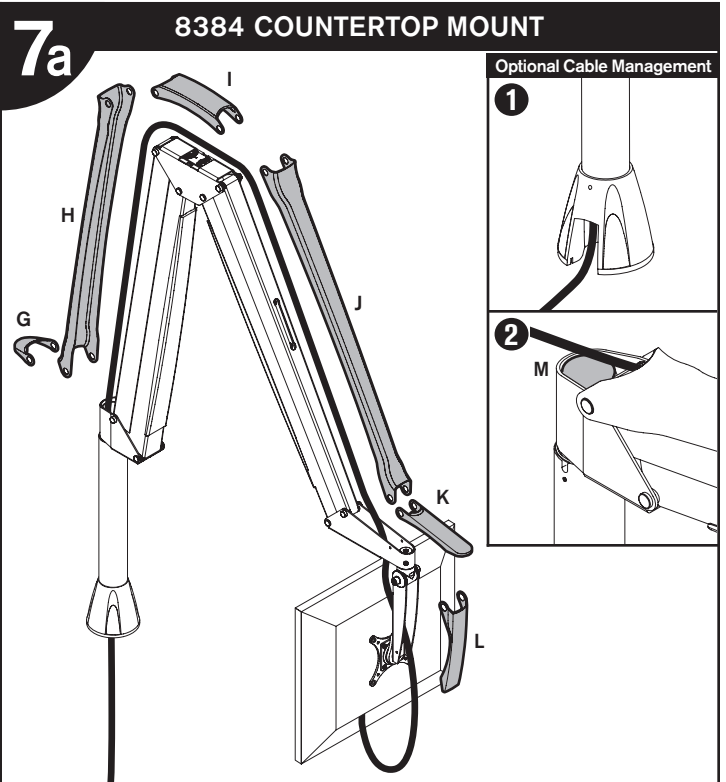
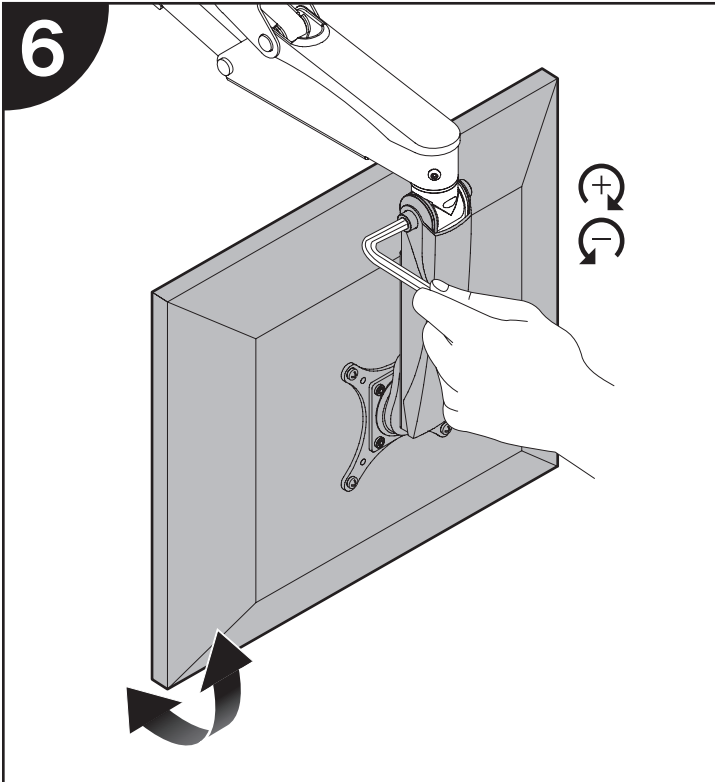
# MODEL 9400

## Installation Instructions



<p><b>1a</b> 8384 COUNTERTOP MOUNT</p>	<p><b>1b</b> 8385 WALL MOUNT</p>
<p><b>2a</b></p>	<p><b>2b</b></p>





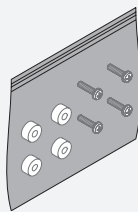
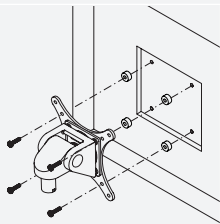
# MODEL 9400

## Parts List

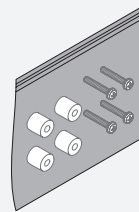
ITEM	DESCRIPTION / PART NO.	QUANTITY
A	Thrust Washer 702833	1
B	3/32" Allen Wrench 700146	1
C	10-32 x 3/8" Phillips Flat Head Screw 702281 (4-pack)	1
D	75/100mm VESA® Adapter Plate 105587	1
E	M4-12 Phillips Pan Head Screw 702096	4
F	7/32" Allen Wrench 701127	1
G	Lower End Cap Cover 106000	1

ITEM	DESCRIPTION / PART NO.	QUANTITY
H	Upper Channel Arm 1 Cover 106594	1
I	Middle End Cap Cover 106001	1
J	Upper Channel Arm 2 Cover 106593	1
K	Upper End Cap Cover 106002	1
L	Tilter Swing Arm Cover 106005	1
M	End Cap Plug 707150	1

**OPTIONAL SPACER KITS** In some cases, the mounting surface on your monitor may be recessed further than permitted by VESA® standards. As a result, a spacer kit may be required.



**.25" Spacer Hardware Kit**  
 (4) .25" Spacers  
 (4) M4 x 18mm Phillips Pan Head Screws  
 Order # P404923-B



**.5" Spacer Hardware Kit**  
 (4) .5" Spacers  
 (4) M4 x 25mm Phillips Pan Head Screws  
 Order # P404923-C