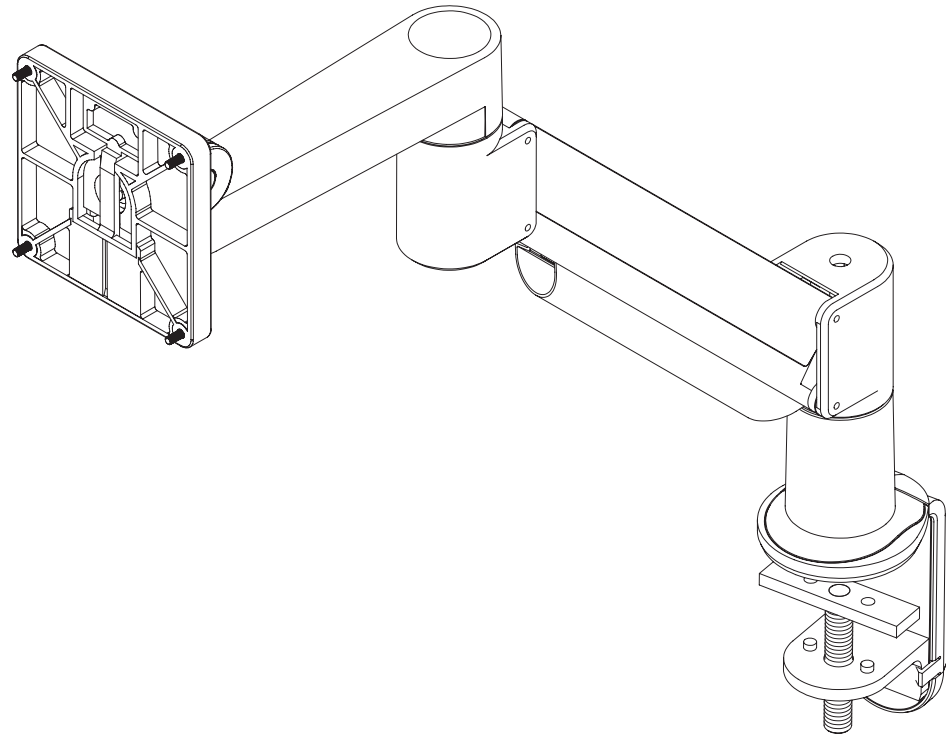
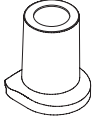
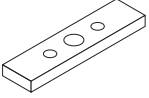
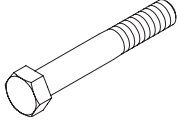
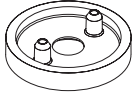
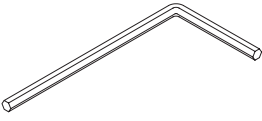

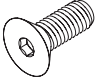
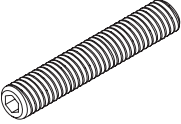

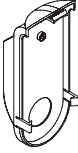

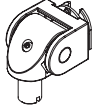
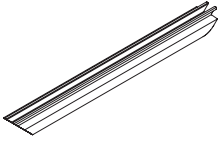
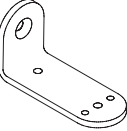

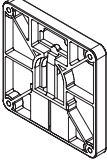

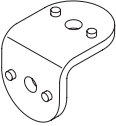
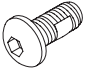
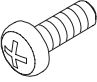



7FLEX®

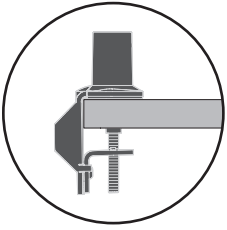
Installation Instructions



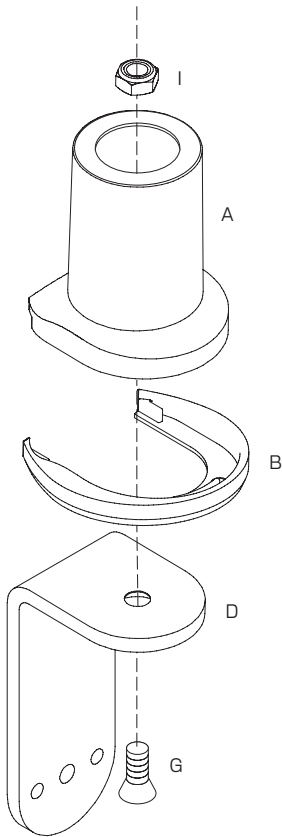
PARTS LIST

<p>A Mount Cup 1x 406715</p> 	<p>F Rectangular Spacer 1x 701544</p> 	<p>K 3/8-16 x 2-1/2" Hex Head Bolt 1x 700268</p> 	<p>P Dog Washer 1x 105189</p> 	<p>U 7/32" Allen Wrench 1x 701127</p> 
<p>B Mount Cup Rubber Sole 1x 105553</p> 	<p>G 3/8-16 x 1" Flat Socket Cap Screw 1x 701124</p> 	<p>L 1/2-13 x 3" Socket Set Screw 1x 701126</p> 	<p>Q 10-32 x 3/8" FPhMS w/Lock Patch 1x 705198</p> 	
<p>C Cable Management 1x 105538</p> 	<p>H 3/8-16 x 1/2" BHSCS 1x 702898</p> 	<p>M Monitor Tilter 1x 8500 Tilter</p> 	<p>R Cable Cap 1x 114810</p> 	
<p>D Large "L" Bracket 1x 701117</p> 	<p>I 3/8-16 Nylon Stop Nut 1x 701418</p> 	<p>N Quick Connect VESA Plate 1x 114808</p> 	<p>S 1/8" Allen Wrench 1x 701312</p> 	
<p>E Small "L" Bracket 1x 111728</p> 	<p>J 3/8-16 x 7/8" Button Socket Cap Screw 1x 701122</p> 	<p>O M4 x 12mm PPhS (4-pack) 1x 702096</p> 	<p>T 3/32" Allen Wrench 1x 700146</p> 	

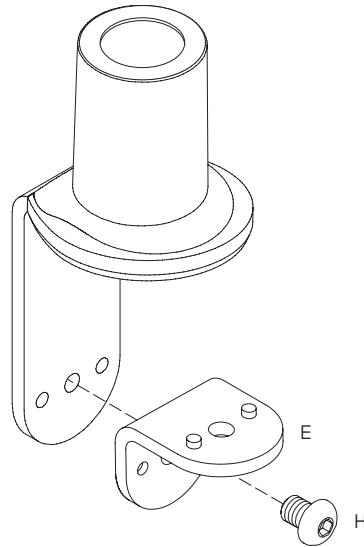
DESK CLAMP



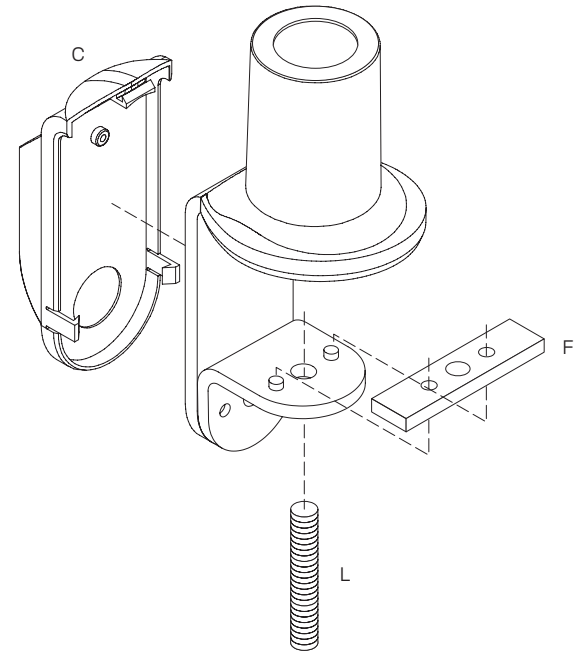
1a

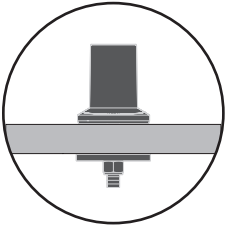


1b

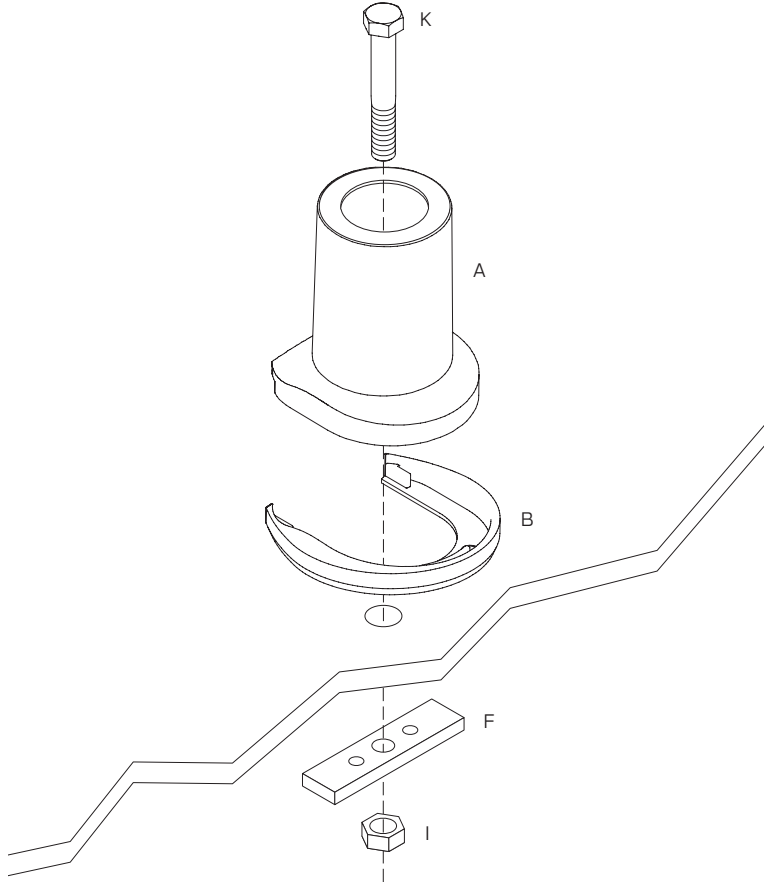


1c

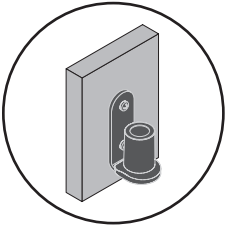




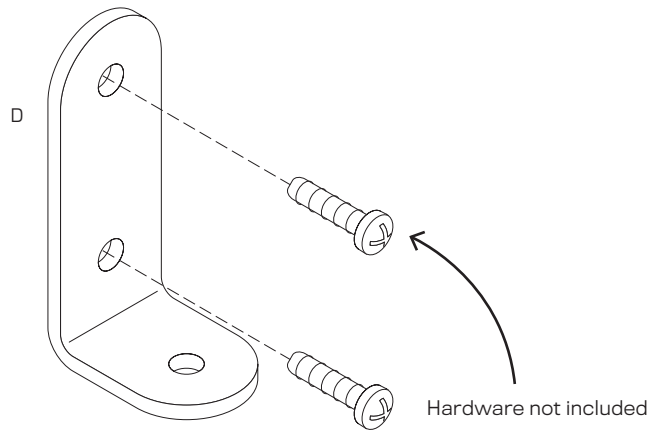
2



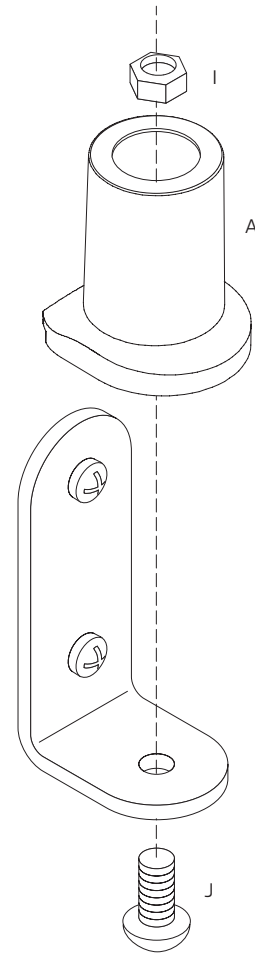
WALL MOUNT



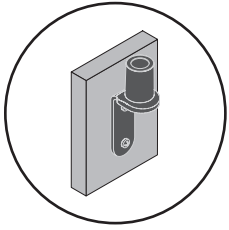
3a



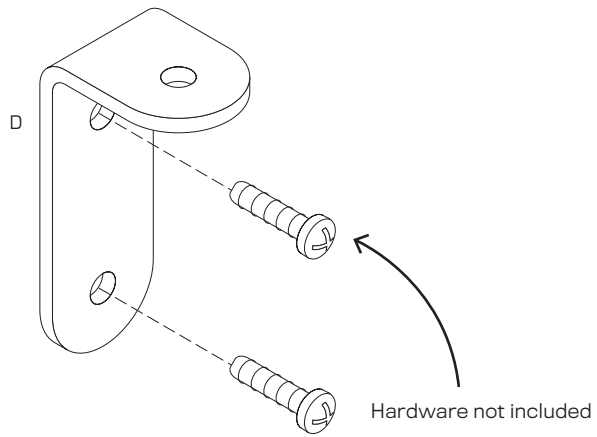
3b



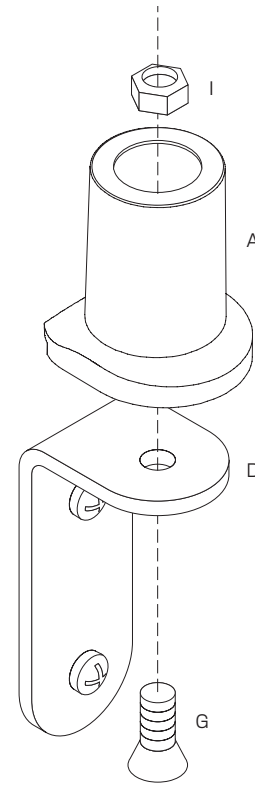
REVERSE WALL MOUNT



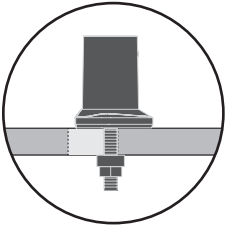
4a



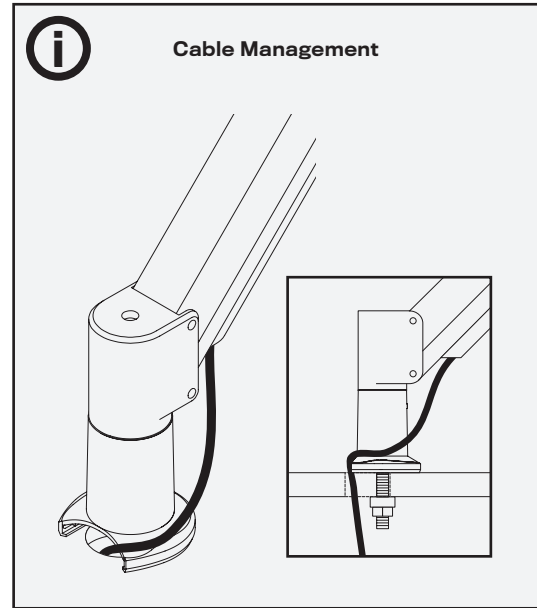
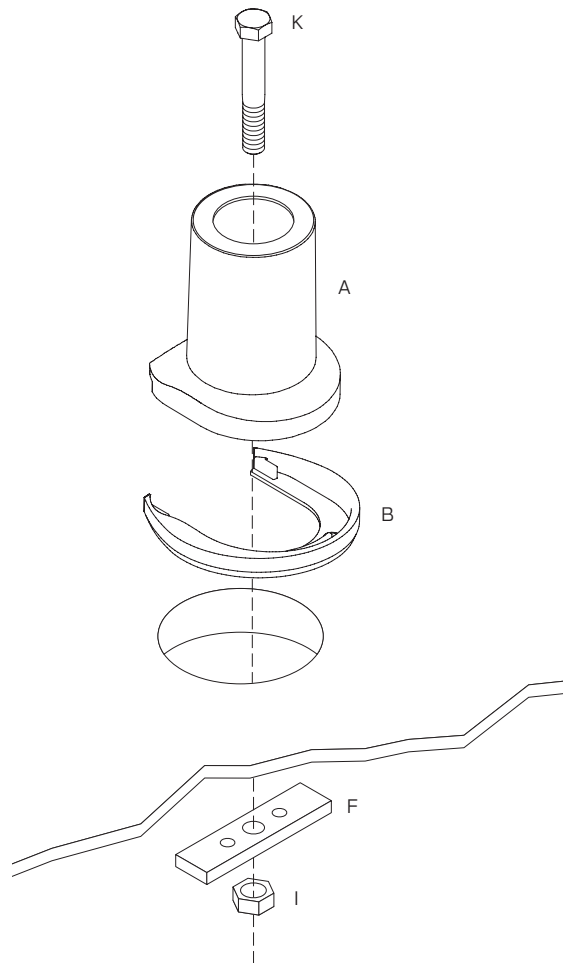
4b

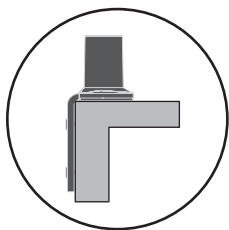


GROMMET

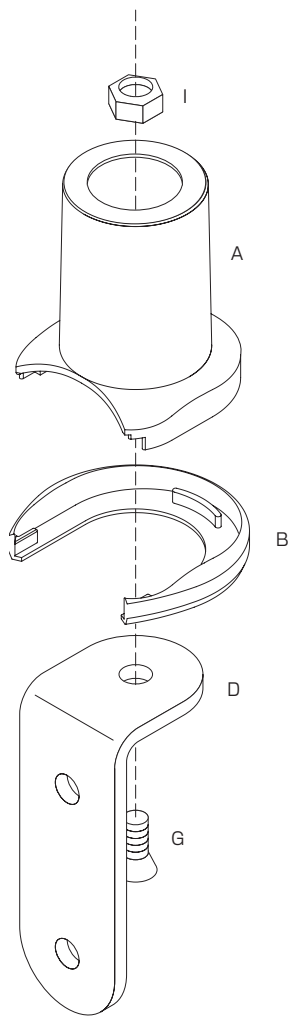


5

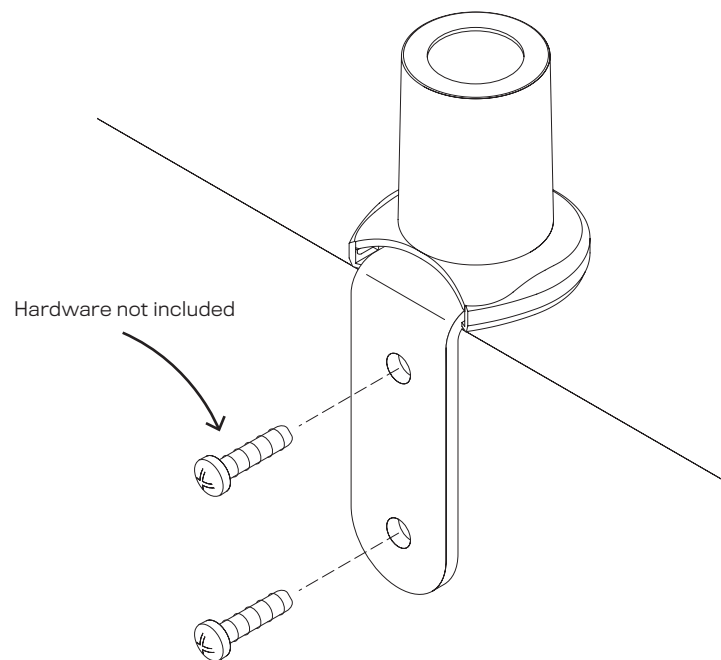


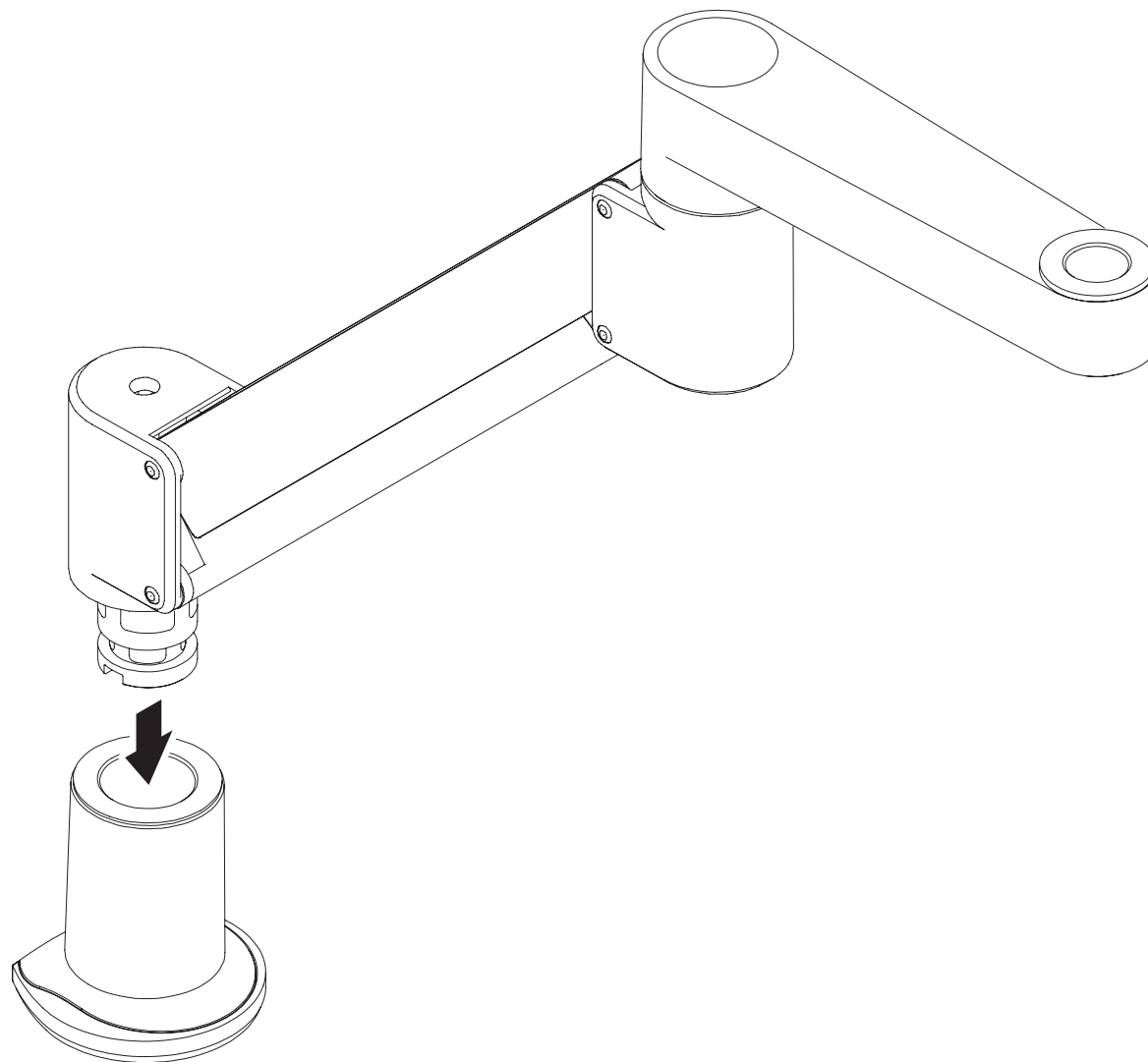


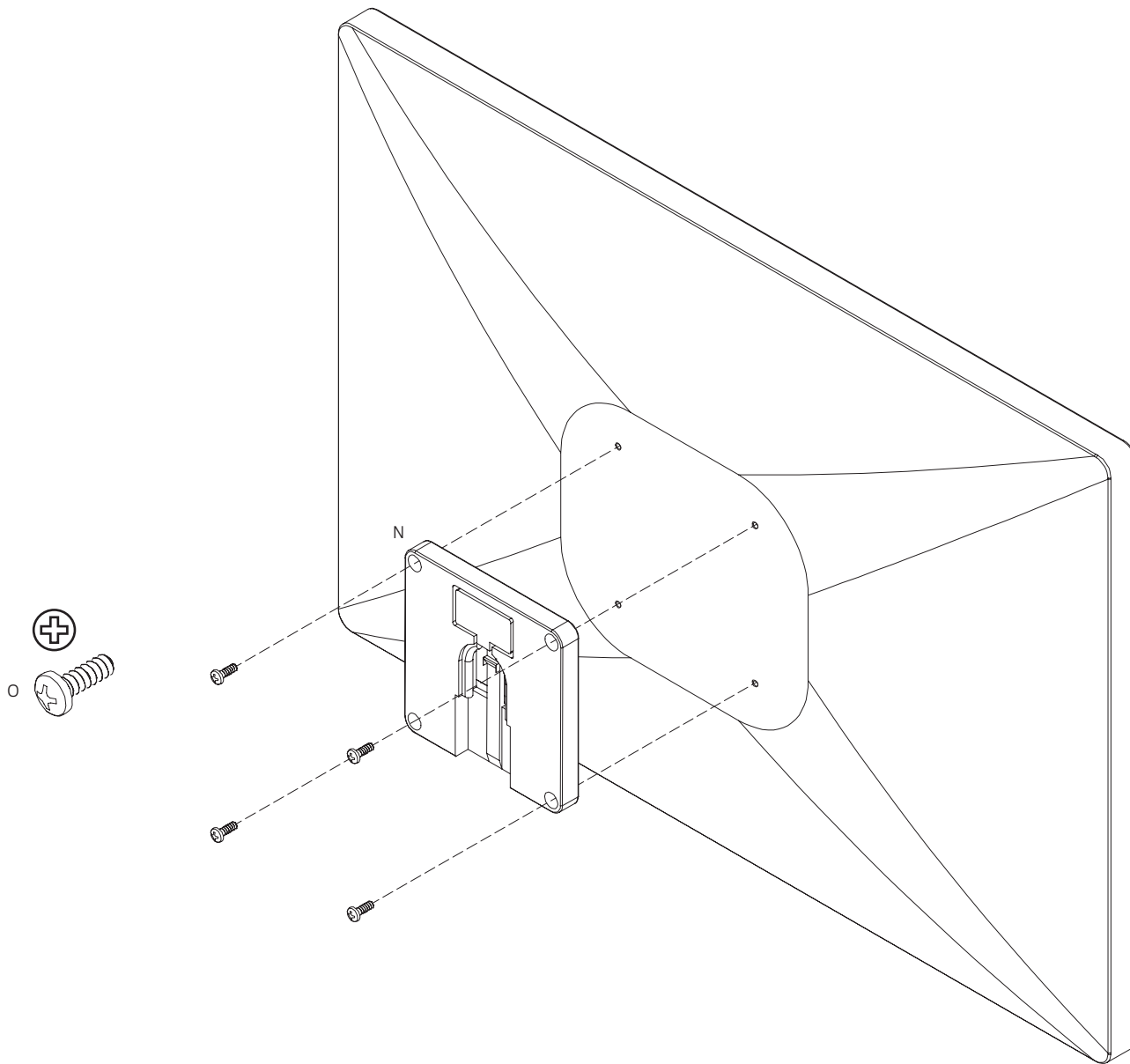
6a

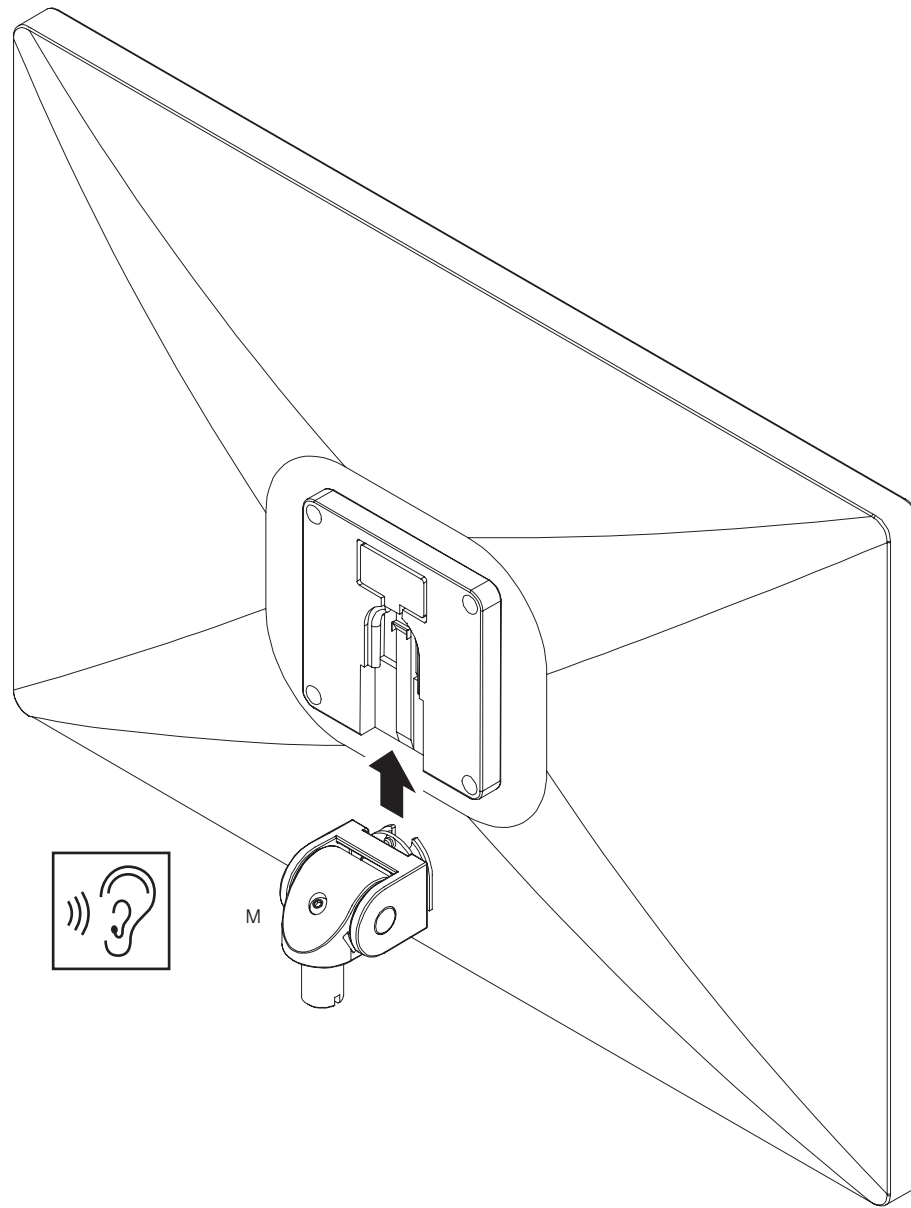


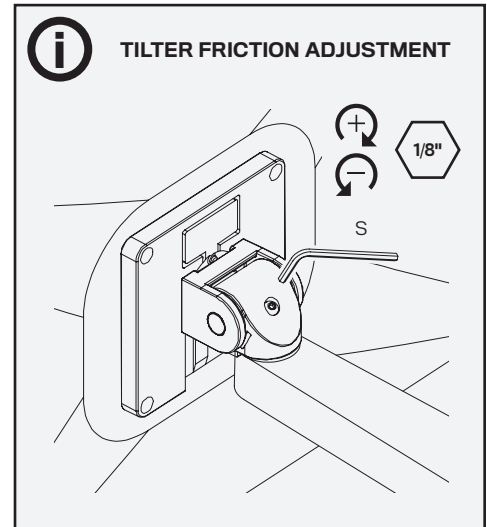
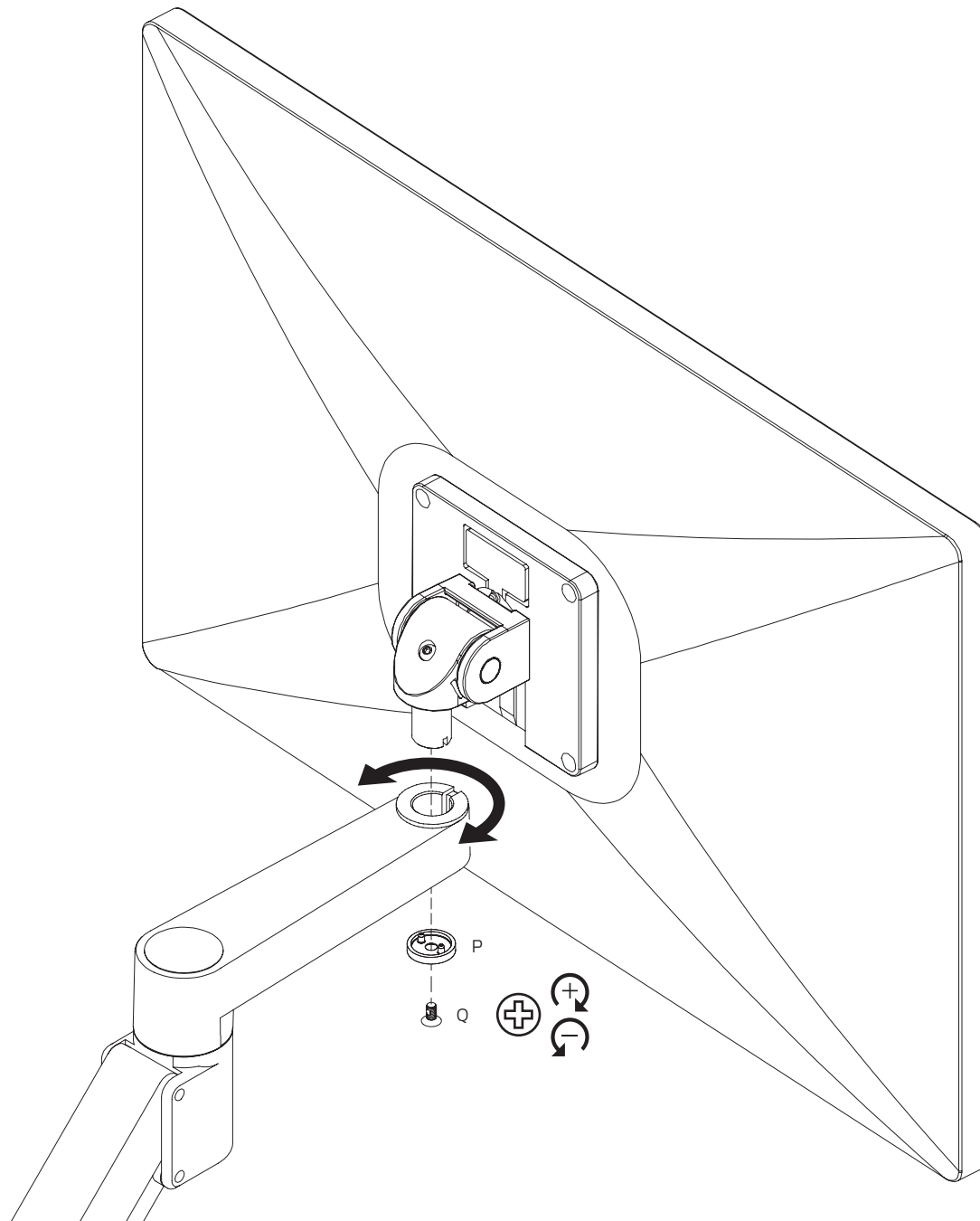
6b







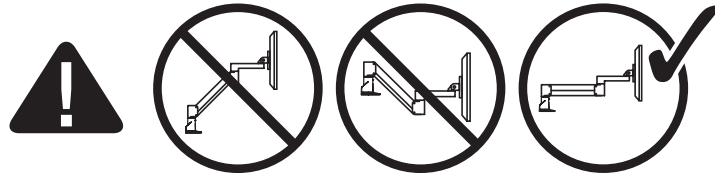




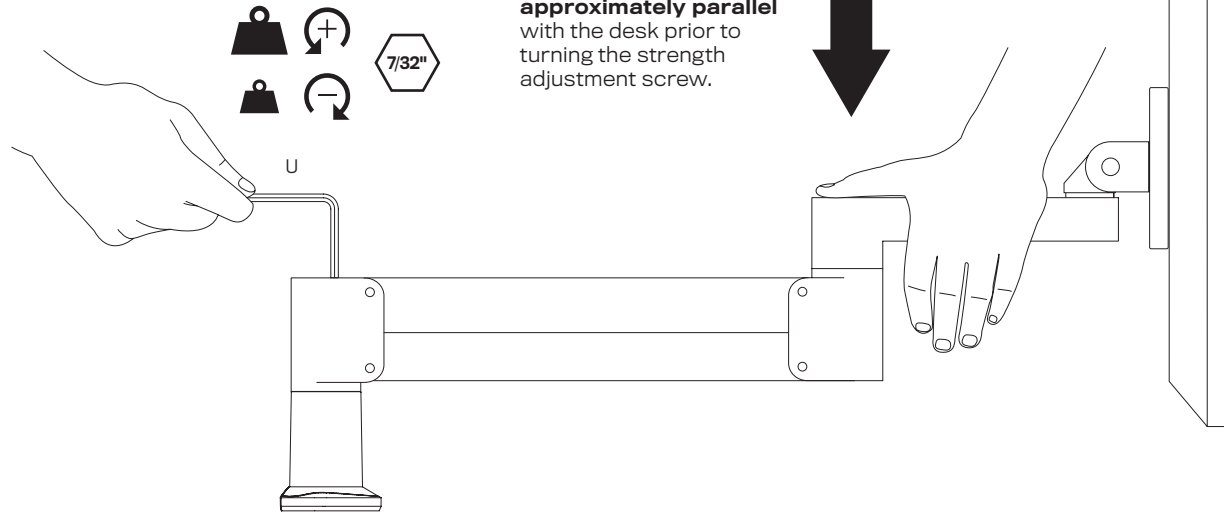
11

IMPORTANT!

- Monitor must be on arm
- Arm must be in mount



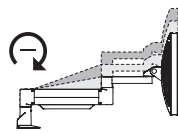
Press the arm down to approximately parallel with the desk prior to turning the strength adjustment screw.



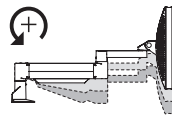
i Optional Adjustment

In some instances, an additional counterbalance adjustment may be needed to allow the arm's instant height adjustment function to work properly.

If your arm is not staying in position after performing step 7, tighten the adjustment screw as shown.



If the arm **drifts upward**, turn the adjustment screw clockwise.



If the arm **drifts downward**, turn the adjustment screw counter-clockwise.

Depending on the weight of your monitor, **you may have to make 15-20 turns.**

